

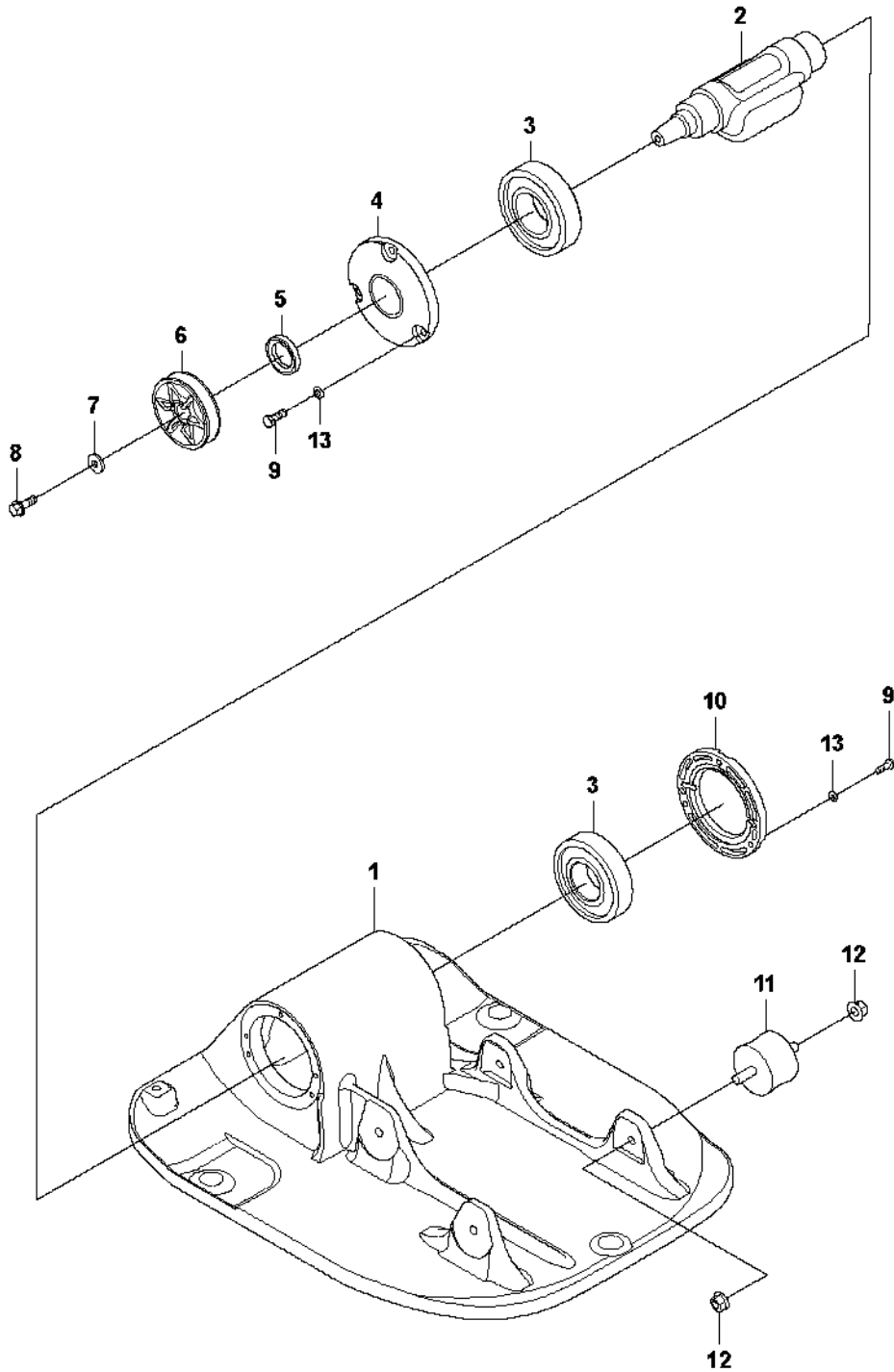


# SPARE PARTS LIST

LIGHT COMPACTION

LF 130 LT, 967896601, 967896901,  
2019-08

**A** LF 130 LT  
GROUND PLATE INSTALLATION

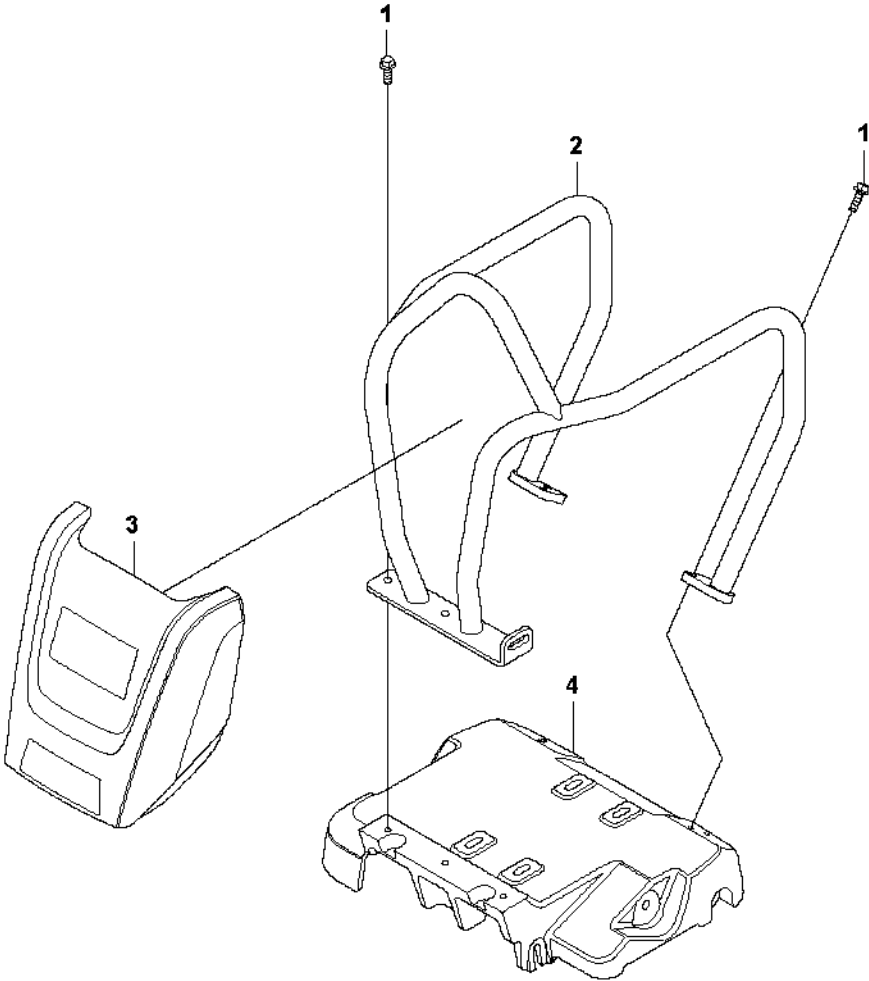


## GROUND PLATE INSTALLATION

LF 130 LT, 967896601, 967896901, 2019-08

| Ref | Part No      | Description  | Remark  | QTY KIT |
|-----|--------------|--------------|---|---------|
| 1   | 594 14 61-01 | GROUND PLATE |   | 1       |
| 2   | 594 64 41-01 | SHAFT        |   | 1       |
| 3   | 594 52 61-01 | BALL BEARING |   | 2       |
| 4   | 594 49 01-01 | COVER        |   | 1       |
| 5   | 594 12 83-01 | SEAL         | Lip-type oil seal                                   | 1       |
| 6   | 594 48 67-01 | PULLEY       |   | 1       |
| 7   | 594 12 34-01 | WASHER       | 8.4 x 16 x 1.5 mm, 0.33 x<br>0.63 x 0.06 in. 300 HV | 1       |
| 8   | 594 12 00-01 | SCREW        | M8 x 25 mm 8.8 A2K                                  | 1       |
| 9   | 595 03 32-01 | SCREW        | M6x16 8.8, A2K                                      | 6       |
| 10  | 594 49 02-01 | COVER        |   | 1       |
| 11  | 594 34 19-01 | ABSORBER     |   | 4       |
| 12  | 594 12 26-01 | HEXAGON NUT  | M10 x 1.5 mm GEOMET®                                | 8       |
| 13  | 594 12 46-01 | WASHER       | nordlock NL6 M6 DIA 13.5                            | 6       |

**B** LF 130 LT  
ENGINE PLATE - HONDA

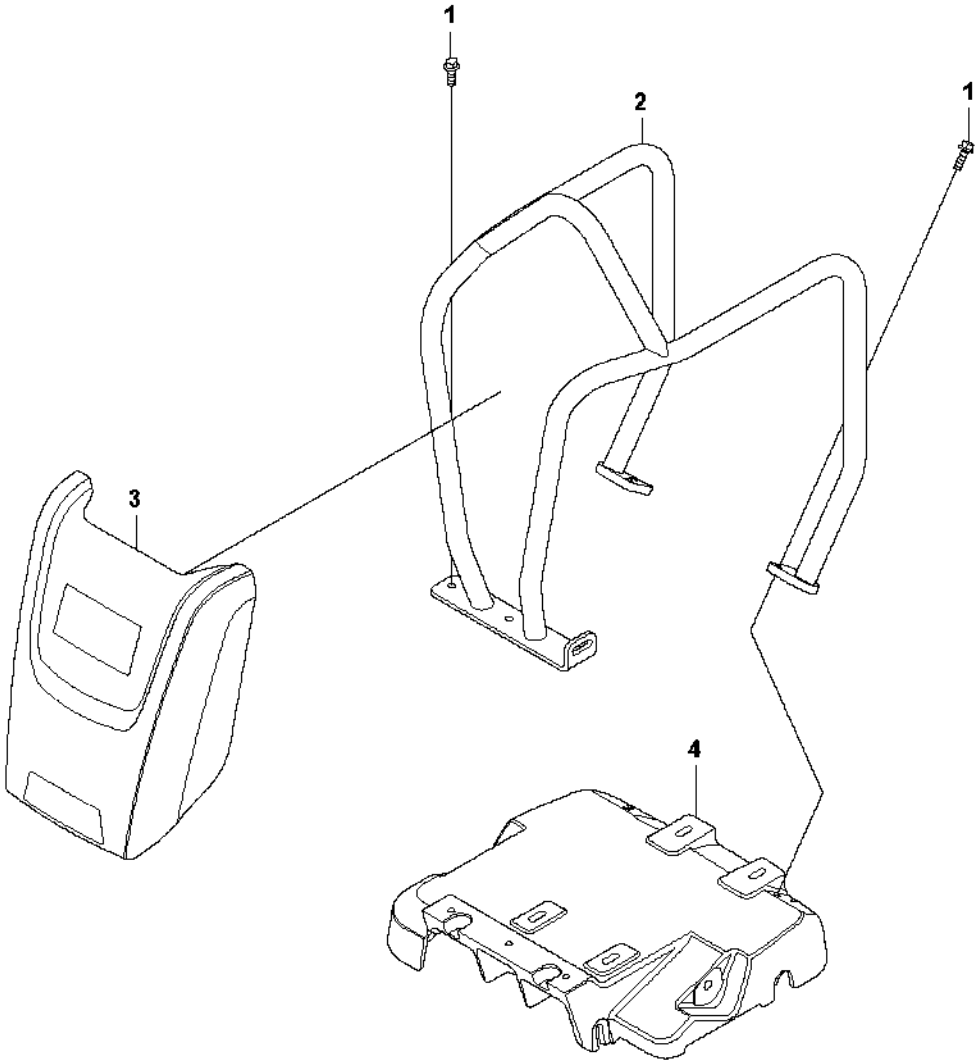


## ENGINE PLATE - HONDA

LF 130 LT, 967896601, 967896901, 2019-08

| Ref | Part No      | Description  | Remark             | QTY KIT |
|-----|--------------|--------------|--------------------|---------|
| 1   | 595 18 57-01 | SCREW        | M8 x 25 mm 8.8 A2K | 7       |
| 2   | 594 14 46-01 | FRAME        |                    | 1       |
| 3   | 594 95 80-01 | COVER        |                    | 1       |
| 4   | 595 11 98-01 | ENGINE PLATE |                    | 1       |

**C** LF 130 LT  
ENGINE PLATE - HATZ

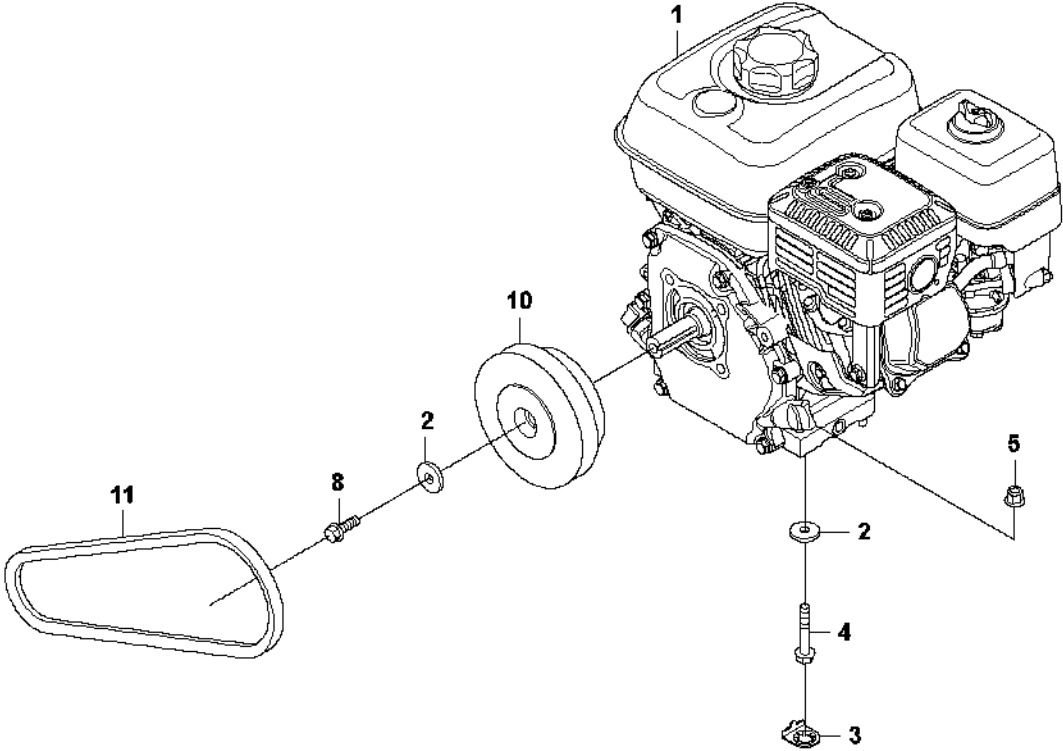


ENGINE PLATE - HATZ

LF 130 LT, 967896601, 967896901, 2019-08

| Ref | Part No      | Description  | Remark                       | QTY KIT |
|-----|--------------|--------------|------------------------------|---------|
| 1   | 594 12 00-01 | SCREW        | Screw, M8 x 25 mm 8.8<br>A2K | 4       |
| 2   | 594 14 47-01 | FRAME        |                              | 1       |
| 3   | 594 95 95-01 | HOOD         |                              | 1       |
| 4   | 595 11 99-01 | ENGINE PLATE |                              | 1       |

**D** LF 130 LT  
ENGINE INSTALLATION - HONDA



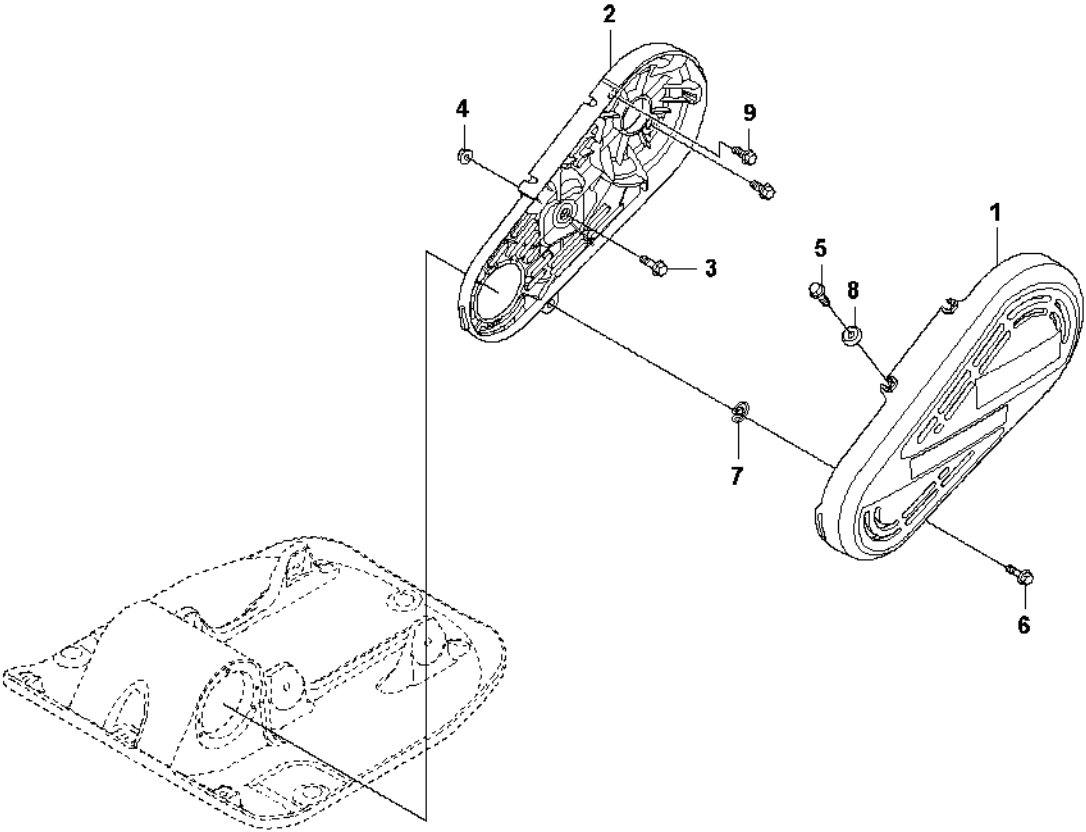


## ENGINE INSTALLATION - HONDA

LF 130 LT, 967896601, 967896901, 2019-08

| Ref | Part No      | Description        | Remark                | QTY KIT |
|-----|--------------|--------------------|-----------------------|---------|
| 1   | 594 16 11-01 | ENGINE             |                       | 1       |
| 2   | 595 11 29-01 | WASHER             | M08 8,4x26x4,0 300 HV | 5       |
| 3   | 594 48 42-01 | WASHER             |                       | 4       |
| 4   | 594 49 91-01 | SCREW              | flange screw M8x50    | 4       |
| 5   | 594 12 30-01 | LOCK NUT           |                       | 4       |
| 8   | 594 12 00-01 | SCREW              | flange screw M8x25    | 1       |
| 10  | 594 48 01-01 | CENTRIFUGAL CLUTCH |                       | 1       |
| 11  | 594 48 88-01 | V-BELT             |                       | 1       |

**E** LF 130 LT  
BELT GUARD - HONDA

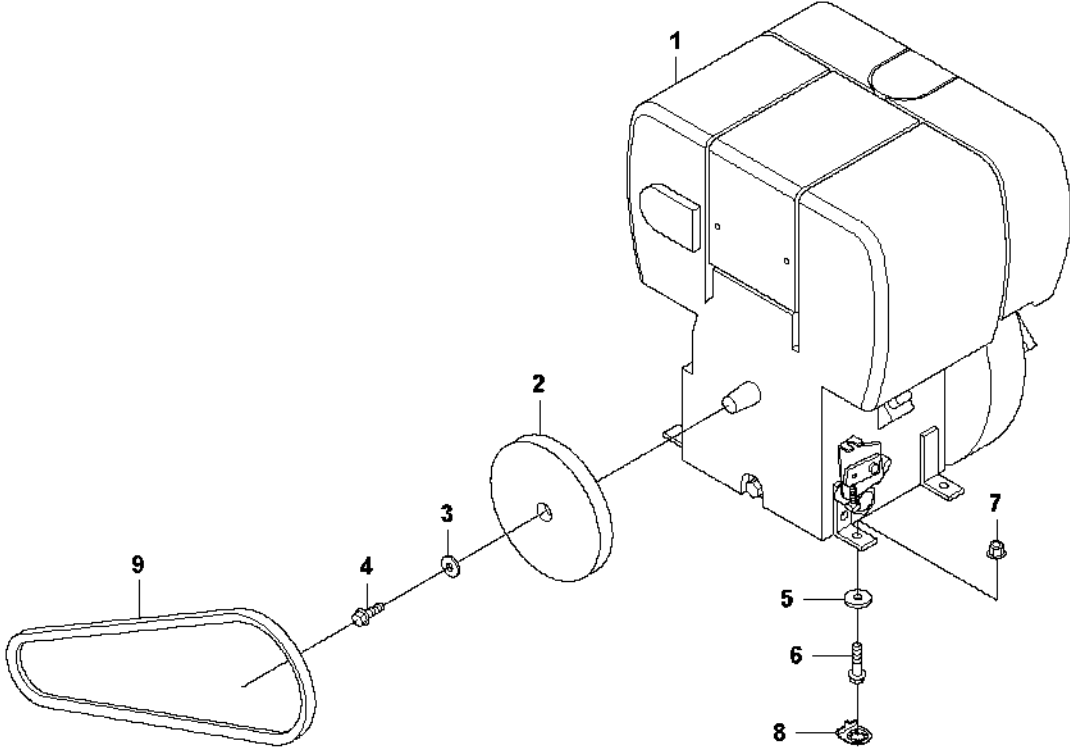


## BELT GUARD - HONDA

LF 130 LT, 967896601, 967896901, 2019-08

| Ref | Part No      | Description    | Remark             | QTY KIT |
|-----|--------------|----------------|--------------------|---------|
| 1   | 594 96 07-01 | BELT GUARD     | Outer              | 1       |
| 2   | 594 48 31-01 | BELT GUARD     | Inner              | 1       |
| 3   | 594 12 00-01 | SCREW          | M8 x 25 mm 8.8 A2K | 1       |
| 4   | 594 12 30-01 | LOCK NUT       | M8 x 1.25 mm A2K   | 1       |
| 5   | 594 11 98-01 | SCREW          | FLANGE SCREW       | 3       |
| 6   | 594 64 80-01 | SCREW          | M8 x 25 mm 8.8 A2K | 1       |
| 7   | 594 65 02-01 | LOCKING SPRING |                    | 1       |
| 8   | 594 64 78-01 | WASHER         |                    | 3       |
| 9   | 595 28 73-01 | SCREW          | M8 x 20 mm 8.8 A2K | 2       |

**F** LF 130 LT  
ENGINE INSTALLATION - HATZ

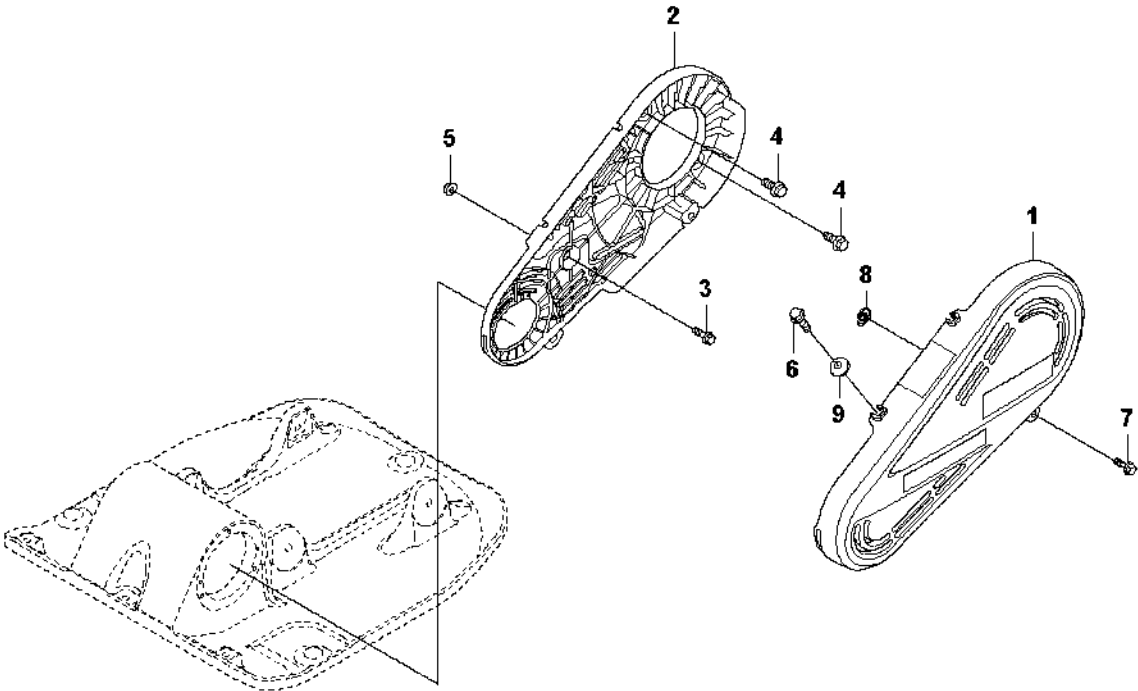


## ENGINE INSTALLATION - HATZ

LF 130 LT, 967896601, 967896901, 2019-08

| Ref | Part No      | Description | Remark                            | QTY KIT |
|-----|--------------|-------------|-----------------------------------|---------|
| 1   | 596 24 12-15 | ENGINE      | Hatz 1B20 manual start            | 1       |
| 2   | 594 48 00-01 | CLUTCH      | Centrifugal                       | 1       |
| 3   | 594 12 34-01 | WASHER      | Washer, 8.4 x 22 x 3 mm<br>300 HV | 1       |
| 4   | 594 11 98-01 | SCREW       | Screw, M8 x 30 mm                 | 1       |
| 5   | 595 11 29-01 | WASHER      | Washer, 8.4 x 22 x 3 mm           | 4       |
| 6   | 594 12 01-01 | SCREW       | Screw, M8 x 40 mm                 | 4       |
| 7   | 594 12 30-01 | LOCK NUT    | Lock nut, M8 x 1.25 mm            | 4       |
| 8   | 594 48 42-01 | WASHER      |                                   | 4       |
| 9   | 594 48 89-01 | BELT        |                                   | 1       |

**G** LF 130  
BELT GUARD - HATZ

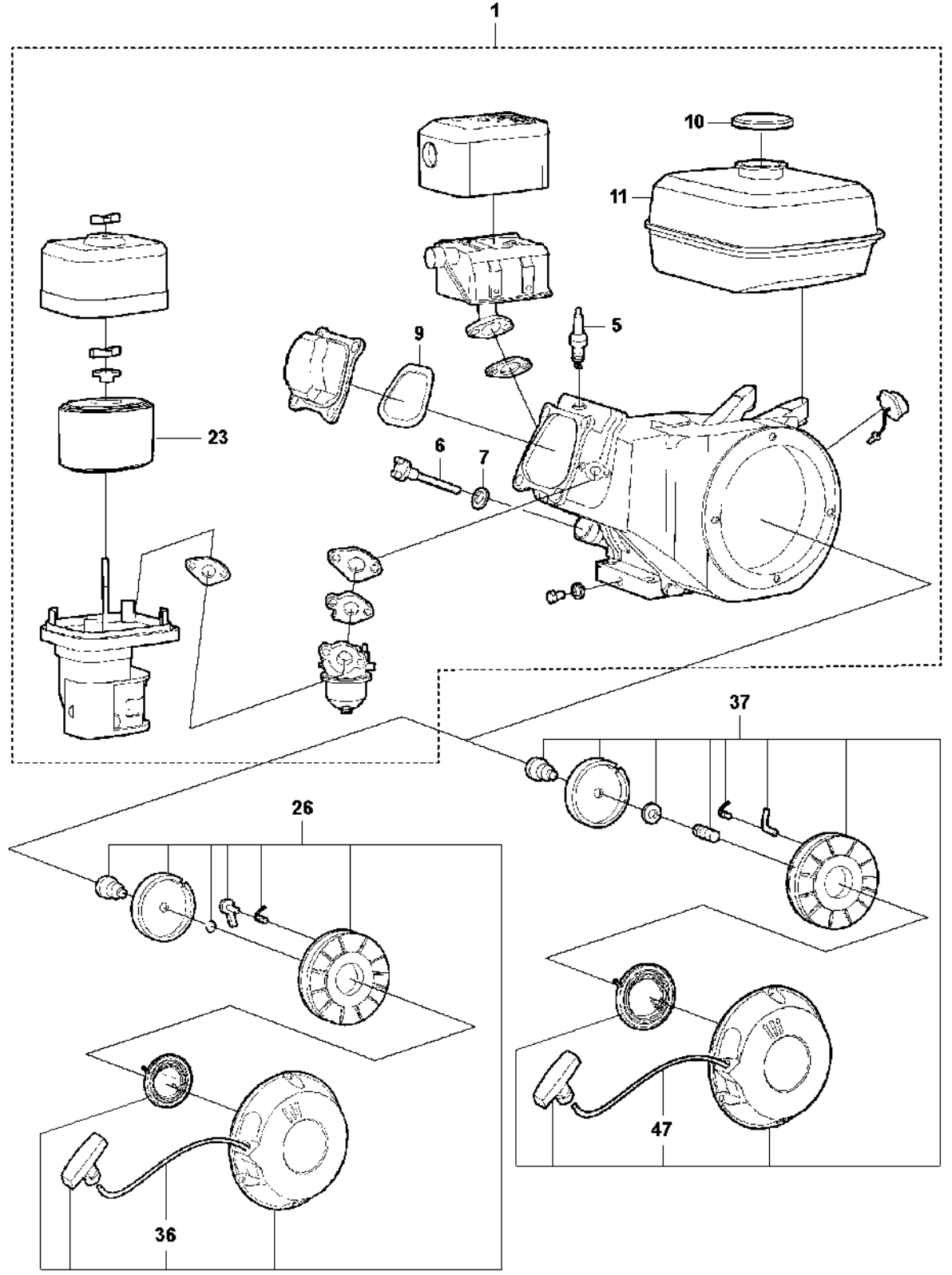


## BELT GUARD - HATZ

LF 130 LT, 967896601, 967896901, 2019-08

| Ref | Part No      | Description    | Remark             | QTY KIT |
|-----|--------------|----------------|--------------------|---------|
| 1   | 594 96 08-01 | BELT GUARD     | Outer              | 1       |
| 2   | 594 48 39-01 | BELT GUARD     | Inner              | 1       |
| 3   | 594 12 00-01 | SCREW          | Screw, M8 x 25 mm  | 1       |
| 4   | 595 99 01-01 | SCREW          | Screw, M10 x 25 mm | 2       |
| 5   | 594 12 30-01 | LOCK NUT       | Nut, M8 x 1.25 mm  | 1       |
| 6   | 594 11 98-01 | SCREW          | Screw, M8 x 30 mm  | 2       |
| 7   | 594 64 80-01 | SCREW          | M8 x 25 mm 8.8 A2K | 2       |
| 8   | 594 65 02-01 | LOCKING SPRING |                    | 2       |
| 9   | 594 64 78-01 | WASHER         |                    | 2       |

**H** LF 130 LT  
ENGINE - HONDA GX 160 UT2 SXS4 OH



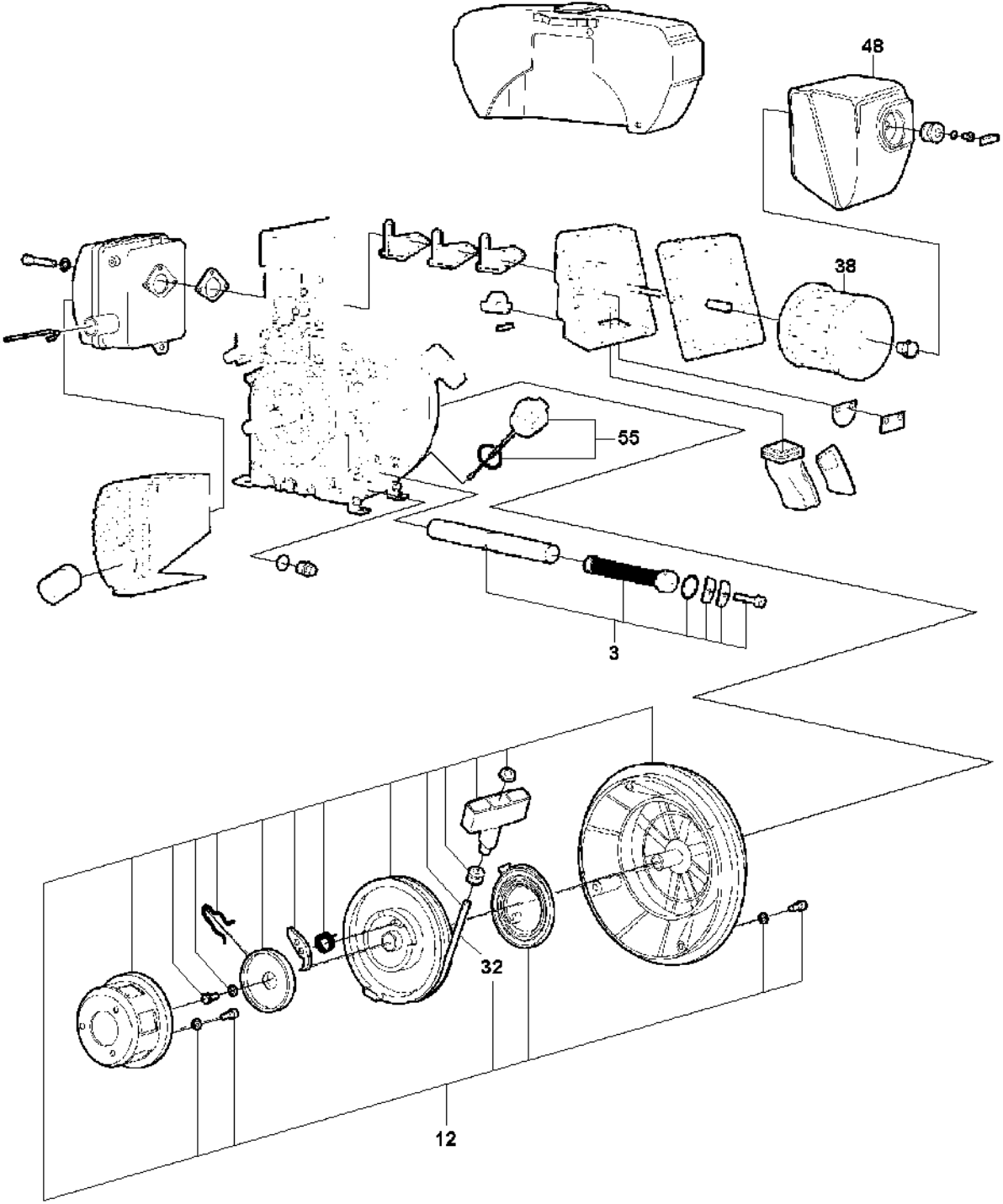


## ENGINE - HONDA

LF 130 LT, 967896601, 967896901, 2019-08

| Ref | Part No      | Description | Remark  | QTY KIT |       |
|-----|--------------|-------------|---|---------|-------|
| 1   | 594 16 11-01 | ENGINE      | Honda GX160UT2 SXS4 SD  | 1       |       |
| 5   | 594 20 40-01 | SPARK PLUG  | (bpr6es) (ngk)  | 1       | 1     |
| 6   | 594 20 38-01 | OIL         |   | 1       | 1     |
| 7   | 594 20 39-01 | GASKET      |   | 1       | 1     |
| 9   | 595 04 88-01 | GASKET      |   | 1       | 1     |
| 10  | 594 20 46-01 | FUEL CAP    |   | 1       | 1     |
| 11  | 594 20 45-01 | FUEL TANK   |   | 1       | 1     |
| 23  | 594 30 21-01 | AIR FILTER  | Delivered with outer and inner filter.                                  | 1       | 1     |
| 26  | 594 30 06-01 | STARTER     | Complete, Red, Valid up to engine serial number 1411005.                | 1       | 1     |
| 36  | 595 04 91-01 | ROPE        |   | 1       | 1, 26 |
| 37  | 594 20 48-01 | STARTER     | recoil *nh1*, Complete, Black, Valid from engine serial number 1411006. | 1       | 1     |
| 47  | 595 04 91-01 | ROPE        |   | 1       | 1, 37 |

**J** LF 130 LT  
ENGINE - HATZ 1B20 - MANUAL START

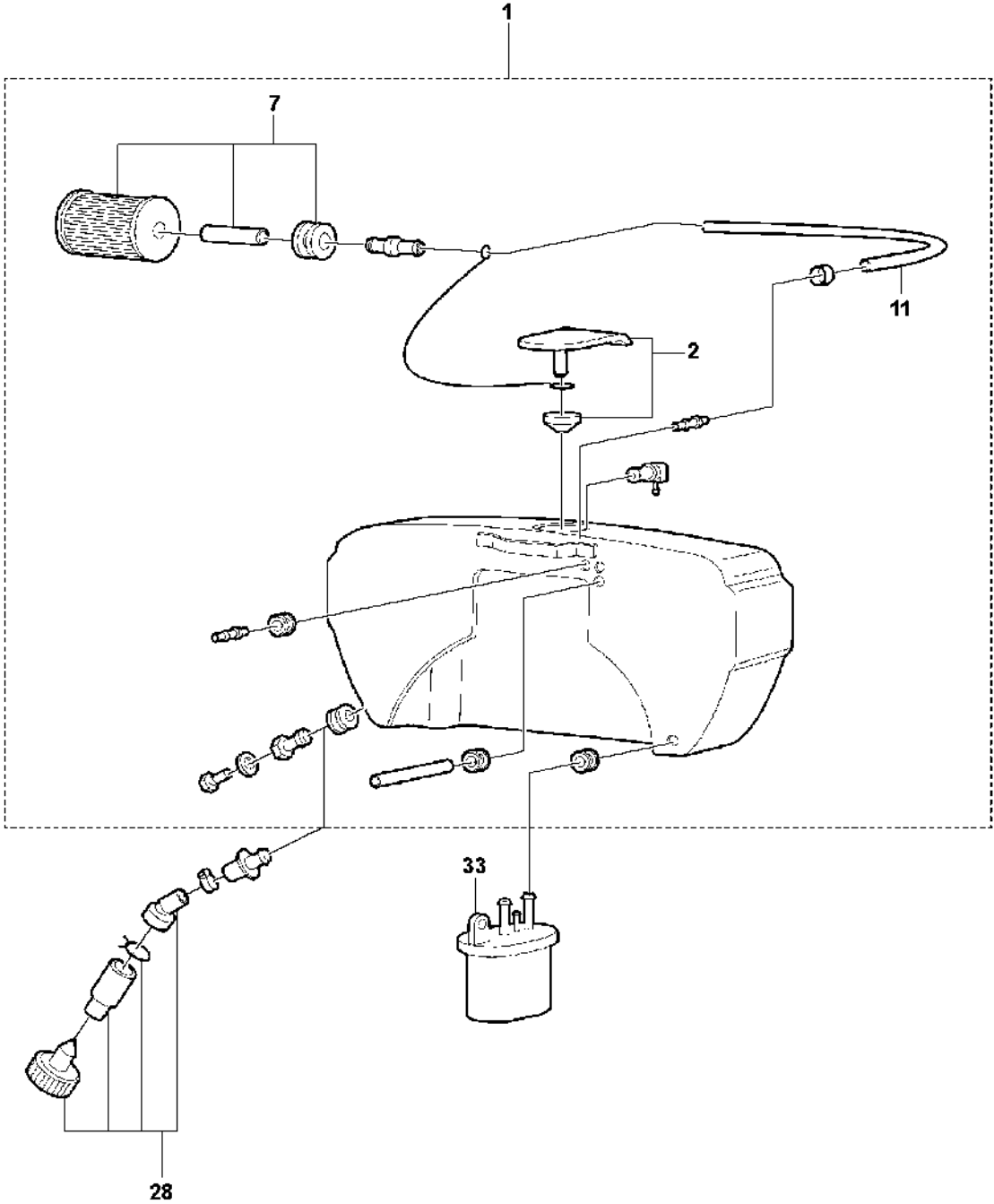


## ENGINE - HATZ

LF 130 LT, 967896601, 967896901, 2019-08

| Ref | Part No      | Description      | Remark   | QTY | KIT |
|-----|--------------|------------------|----------|-----|-----|
| 1   | 596 24 12-15 | ENGINE           |          | 1   |     |
| 3   | 594 57 01-01 | STRAINER         | Complete | 1   |     |
| 12  | 594 56 84-01 | STARTER          |          | 1   |     |
| 32  | 594 56 90-01 | ROPE             |          | 1   | 12  |
| 38  | 594 57 11-01 | FILTER           |          | 1   | 34  |
| 48  | 594 57 13-01 | PROTECTIVE COVER |          | 1   |     |
| 55  | 594 57 80-01 | OIL              |          | 1   |     |

**K** LF 130 LT  
FUEL TANK - HATZ 1B20

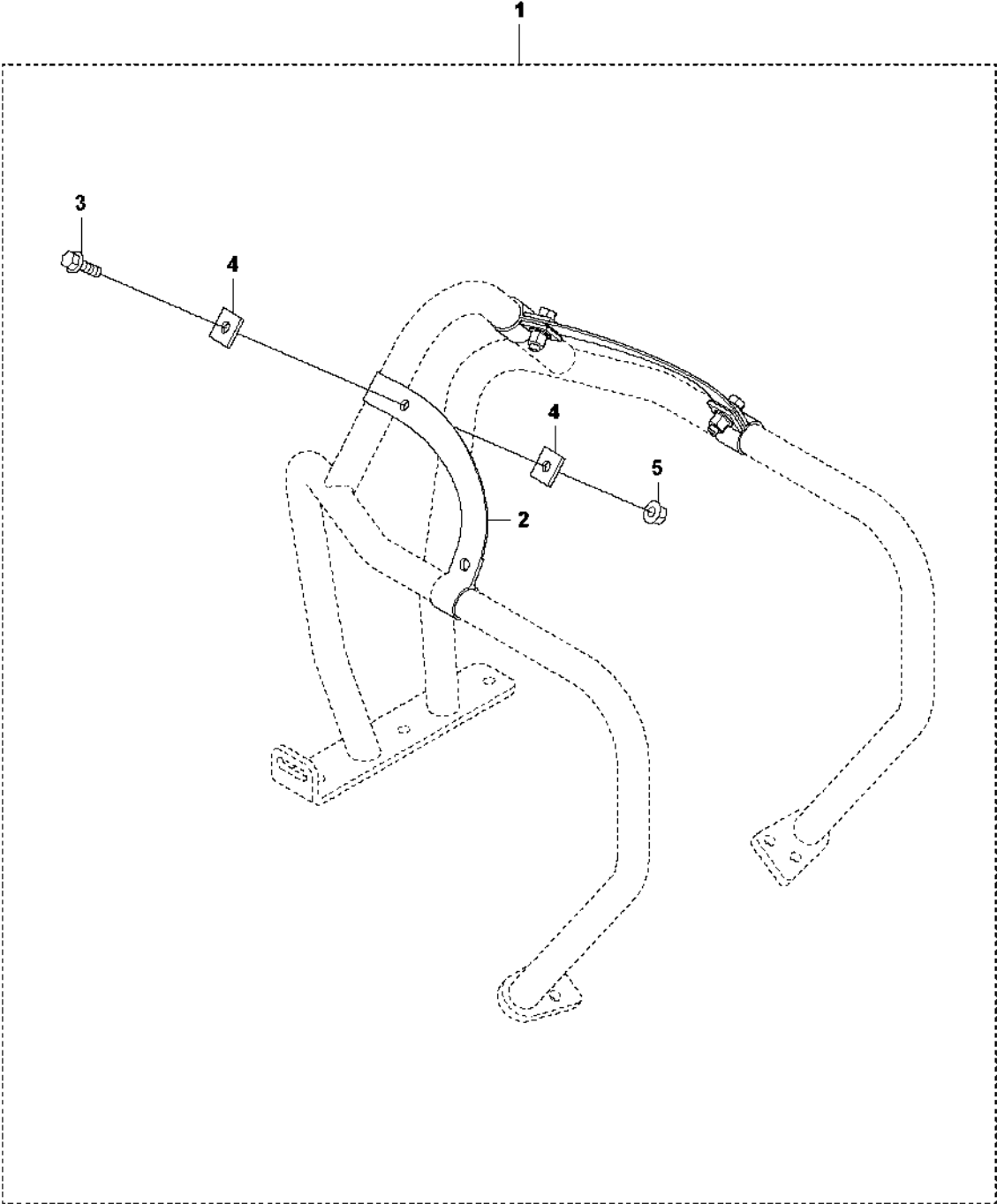


## FUEL TANK

LF 130 LT, 967896601, 967896901, 2019-08

| Ref | Part No      | Description     | Remark | QTY | KIT |
|-----|--------------|-----------------|--------|-----|-----|
| 1   | 594 20 30-01 | FUEL TANK       |        | 1   |     |
| 2   | 594 56 61-01 | FUEL CAP        |        | 1   | 1   |
| 7   | 594 59 51-01 | FUEL FILTER     |        | 1   | 1   |
| 11  | 594 20 34-01 | FUEL HOSE       |        | 1   | 1   |
| 28  | 594 58 32-01 | WATER SEPARATOR |        | 1   |     |
| 33  | 594 60 19-01 | FUEL FILTER     |        | 1   |     |

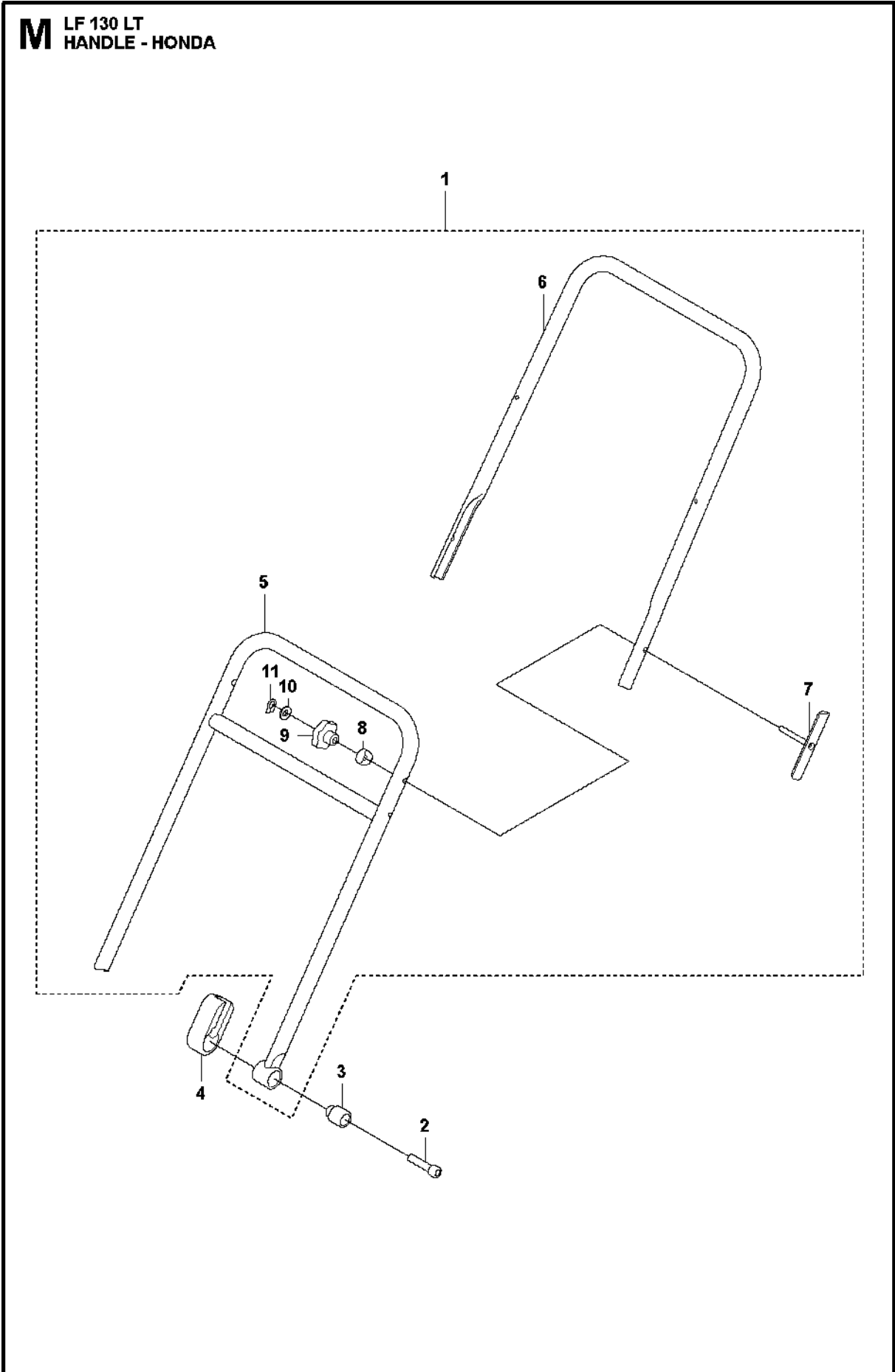
**L** LF 130 LT  
FORK LIFTING DEVICE



FORK LIFTING DEVICE

LF 130 LT, 967896601, 967896901, 2019-08

| Ref | Part No      | Description | Remark               | QTY KIT |   |
|-----|--------------|-------------|----------------------|---------|---|
| 1   | 595 50 31-01 | FORK        |                      | 1       |   |
| 2   | 594 48 99-01 | HANDLE      |                      | 2       | 1 |
| 3   | 594 11 98-01 | SCREW       | m8x30                | 4       | 1 |
| 4   | 595 18 27-01 | WASHER      | square washer 9x25x3 | 8       | 1 |
| 5   | 594 12 30-01 | LOCK NUT    | M08x1,25, -8, A2K    | 4       | 1 |

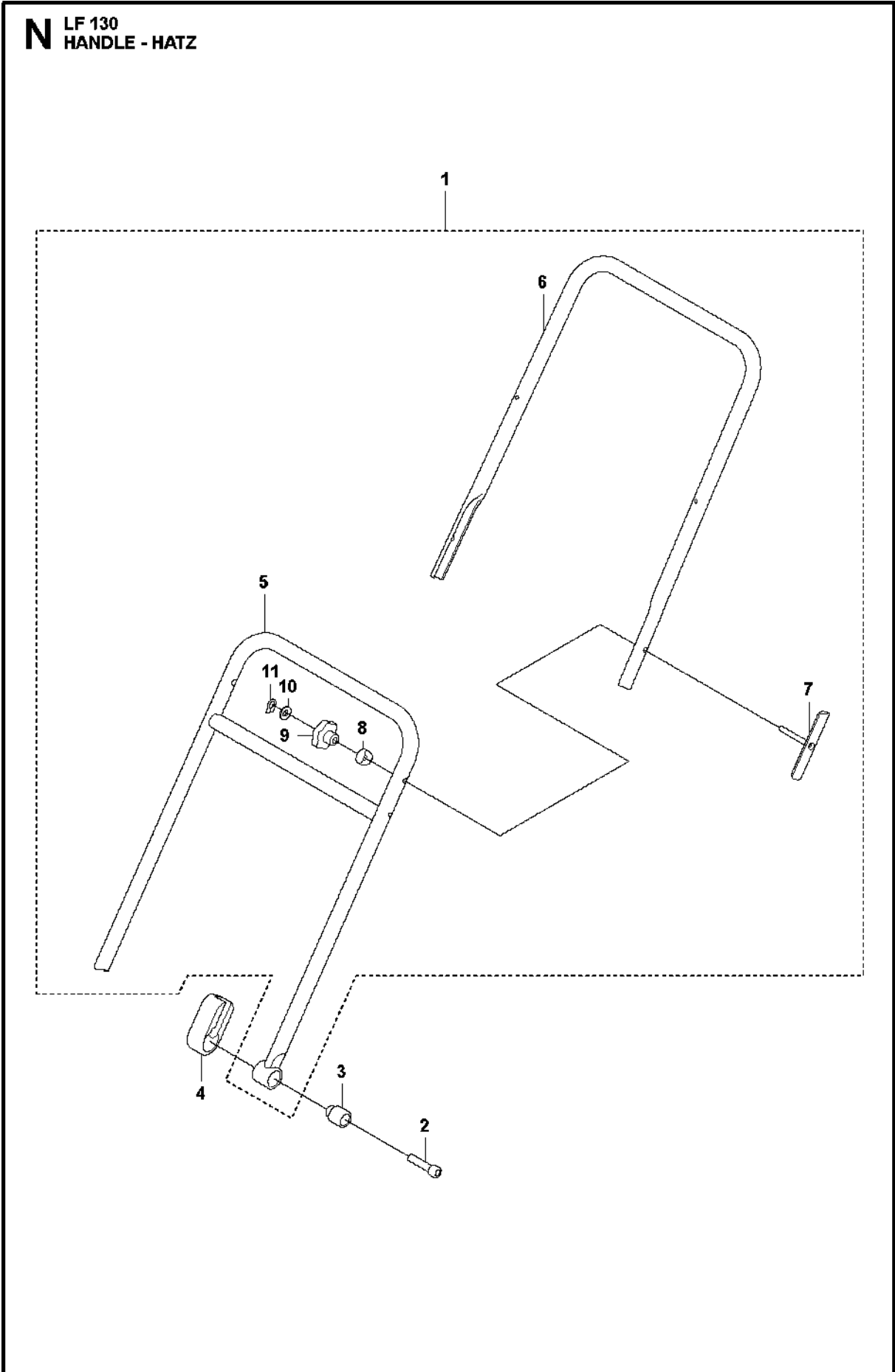




## HANDLE - HONDA

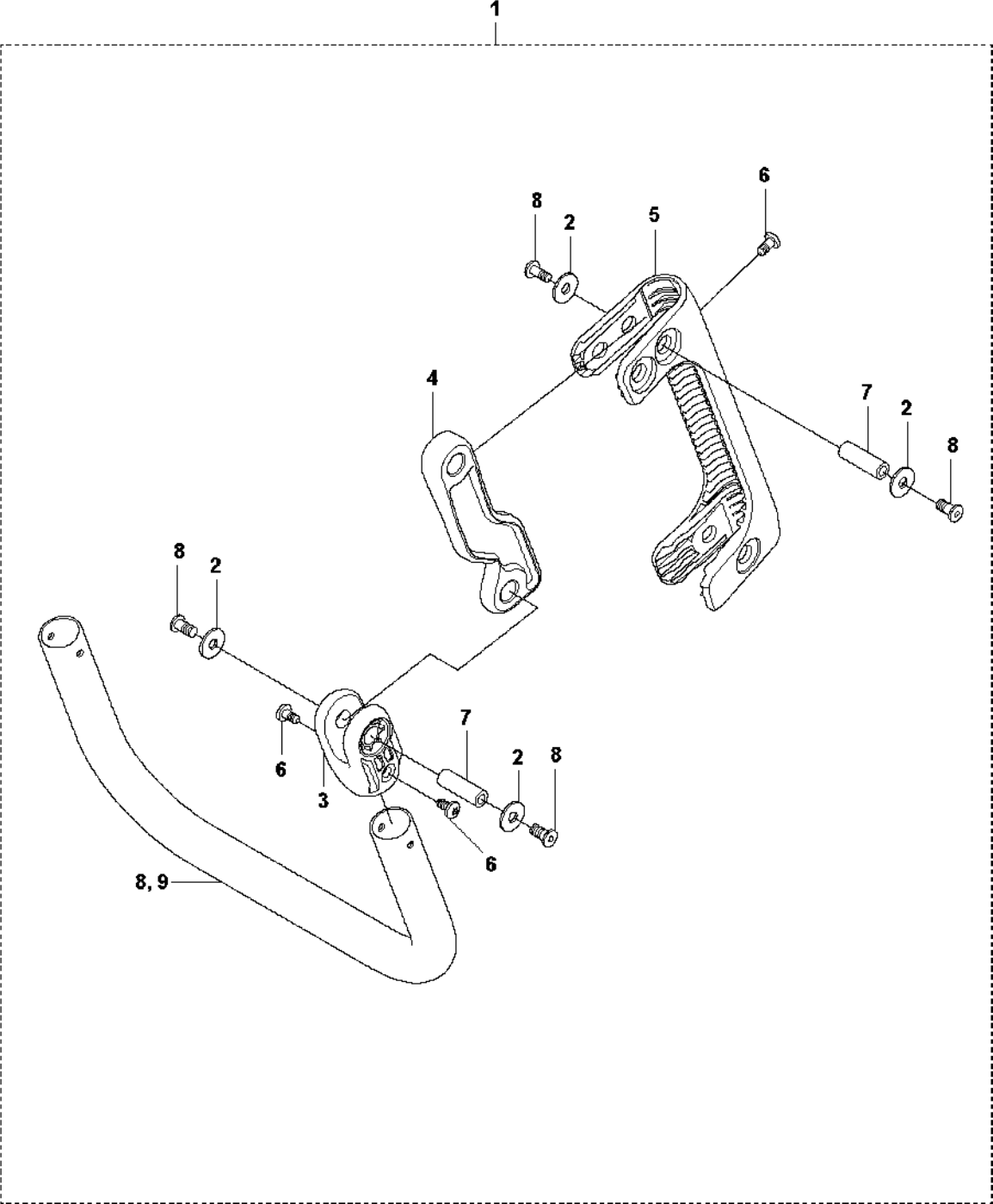
LF 130 LT, 967896601, 967896901, 2019-08

| Ref | Part No      | Description  | Remark                                      | QTY KIT |   |
|-----|--------------|--------------|---|---------|---|
| 1   | 594 76 11-01 | HANDLE       | Handle Grab, module                         | 1       |   |
| 2   | 595 07 16-01 | SOCKET       | M12 x 50 mm 8.8 A3K                         | 2       |   |
| 3   | 594 65 47-01 | SLEEVE       |   | 2       |   |
| 4   | 594 48 04-01 | RADIATOR     |   | 2       |   |
| 5   | 594 65 40-01 | HANDLE       | lower part handle                           | 1       | 1 |
| 6   | 594 65 41-01 | HANDLE       | Upper part handle                           | 1       | 1 |
| 7   | 594 65 44-01 | BRACKET      |   | 2       | 1 |
| 8   | 594 65 42-01 | SLEEVE       |   | 2       | 1 |
| 9   | 594 65 43-01 | KNOB         |   | 2       | 1 |
| 10  | 594 12 38-01 | PLANE WASHER | 5,3x10x1 300HV                              | 2       | 1 |
| 11  | 594 26 55-01 | RING         | 4.8 x 7 x 0.6 mm, 0.18 x<br>0.26 x 0.02 in. | 2       | 1 |



| Ref | Part No      | Description  | Remark                                      | QTY KIT |
|-----|--------------|--------------|---|---------|
| 1   | 594 86 90-01 | HANDLE       | Handle Grab, module                         | 1       |
| 2   | 595 07 16-01 | SOCKET       | M12 x 50 mm FZB                             | 2       |
| 3   | 594 65 47-01 | SLEEVE       |   | 2       |
| 4   | 594 48 04-01 | RADIATOR     |   | 2       |
| 5   | 594 65 45-01 | HANDLE       | lower                                       | 1       |
| 6   | 594 65 46-01 | HANDLE       | Upper                                       | 1       |
| 7   | 594 65 44-01 | BRACKET      |   | 2       |
| 8   | 594 65 42-01 | SLEEVE       |   | 2       |
| 9   | 594 65 43-01 | KNOB         |   | 2       |
| 10  | 594 12 38-01 | PLANE WASHER | 5.3 x 10 x 1, 0.21 x 0.39 x<br>0.04 in.     | 2       |
| 11  | 594 26 55-01 | RING         | 4.8 x 7 x 0.6 mm, 0.18 x<br>0.26 x 0.02 in. | 2       |

**P** LF 130 LT  
VIBRATION DAMPED HANDLE

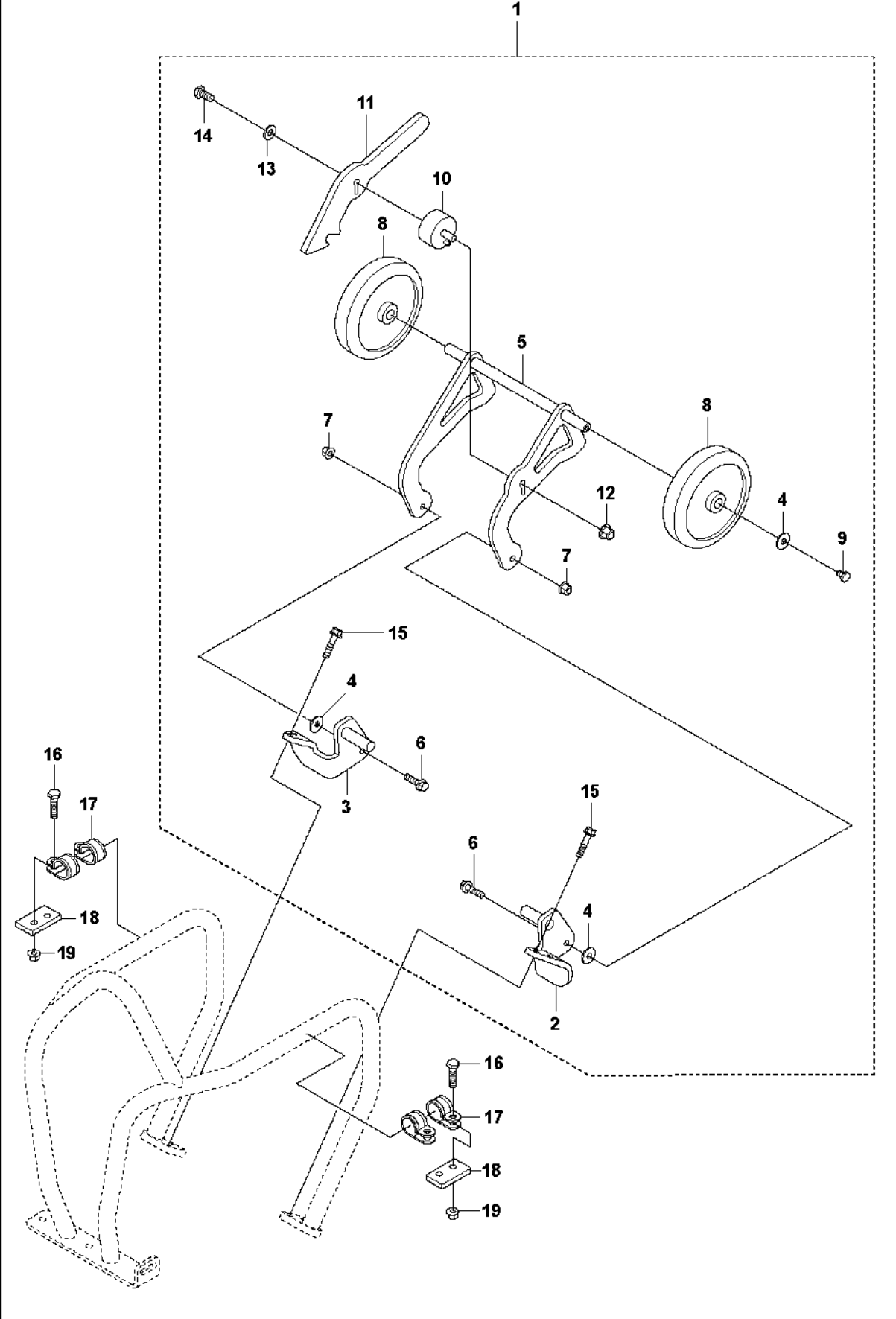


## VIBRATION DAMPED HANDLE

LF 130 LT, 967896601, 967896901, 2019-08

| Ref | Part No      | Description | Remark                       | QTY KIT |   |
|-----|--------------|-------------|------------------------------|---------|---|
| 1   | 594 20 50-01 | HANDLE      |                              | 1       |   |
| 2   | 594 52 66-01 | WASHER      | Washer, 6.4x18x1.6 mm<br>A2T | 16      | 1 |
| 3   | 594 48 22-01 | BRACKET     |                              | 2       | 1 |
| 4   | 594 48 05-01 | ABSORBER    |                              | 2       | 1 |
| 5   | 594 48 21-01 | BRACKET     |                              | 2       | 1 |
| 6   | 594 52 50-01 | SCREW       | M5 x 10 mm A2K               | 8       | 1 |
| 7   | 594 52 47-01 | NUT         | M6 x 30 mm 8.8               | 8       | 1 |
| 8   | 594 52 67-01 | SCREW       | M6 x 12 mm 10.9 A2T          | 16      | 1 |
| 9   | 594 16 63-01 | HANDLE      |                              | 1       | 1 |

**Q** LF 130 LT  
TRANSPORT DEVICE

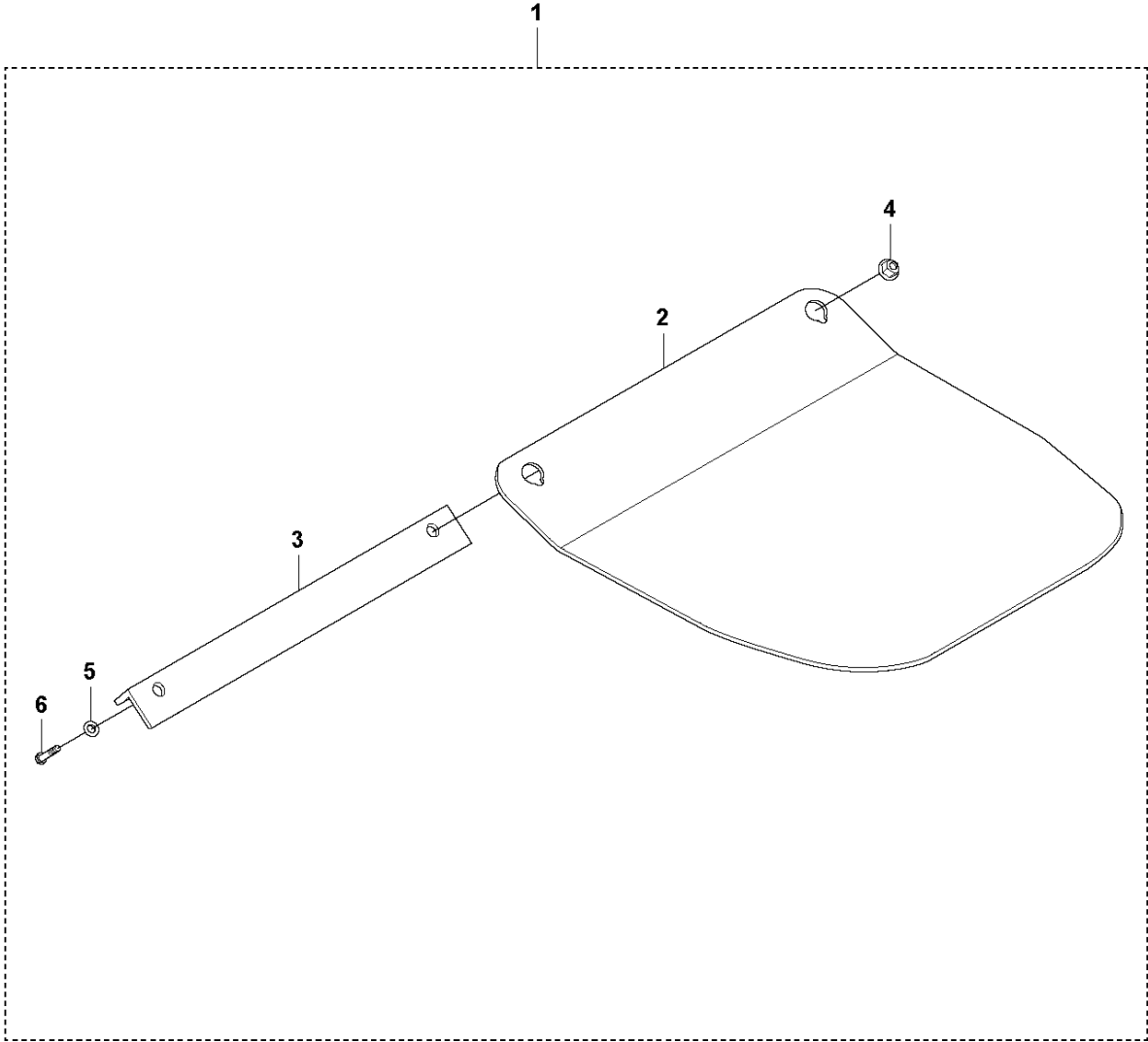


## TRANSPORT DEVICE

LF 130 LT, 967896601, 967896901, 2019-08

| Ref | Part No      | Description | Remark                               | QTY KIT |   |
|-----|--------------|-------------|--------------------------------------|---------|---|
| 1   | 594 20 49-01 | TRANSPORT   | Transport device                     | 1       |   |
| 2   | 594 64 87-01 | BRACKET     | Left                                 | 1       | 1 |
| 3   | 594 64 89-01 | BRACKET     | Right                                | 1       | 1 |
| 4   | 595 06 10-01 | WASHER      | 8,4x25x2 mm                          | 4       | 1 |
| 5   | 594 64 88-01 | FORK        |                                      | 1       | 1 |
| 6   | 594 11 98-01 | SCREW       | M8x30 mm 8.8 A2K                     | 2       | 1 |
| 7   | 594 12 30-01 | LOCK NUT    | M8x1.25 mm A2K                       | 2       | 1 |
| 8   | 594 45 55-01 | WHEEL       | WHEEL                                | 2       | 1 |
| 9   | 596 88 97-07 | SCREW       | SCREW Hex. Head M6S<br>M8x12 8.8 fzb | 2       | 1 |
| 10  | 594 46 27-01 | ABSORBER    | shock absorber                       | 1       | 1 |
| 11  | 594 65 10-01 | HOOK        |                                      | 1       | 1 |
| 12  | 595 06 47-01 | LOCK NUT    | M10                                  | 1       | 1 |
| 13  | 594 74 74-01 | WASHER      | M10 10,5x22x2,0 300 HV               | 1       | 1 |
| 14  | 594 11 84-01 | SCREW       | M10x20 mm 8.8 A3K                    | 1       | 1 |
| 15  | 594 12 00-01 | SCREW       | M8x25mm 8.8 A2K                      | 4       | 1 |
| 16  | 595 46 63-01 | SCREW       | M06x025H, 8.8, A2K                   | 4       |   |
| 17  | 595 06 85-01 | CLAMP       | 22x6.4x15                            | 4       |   |
| 18  | 594 64 60-01 | STOP        |                                      | 2       |   |
| 19  | 595 11 26-01 | NUT         | M06x1,00, -8, A2K                    | 4       |   |

**R** LF 130 LT  
BLOCK PAVING PLATE 500 MM (19,7")



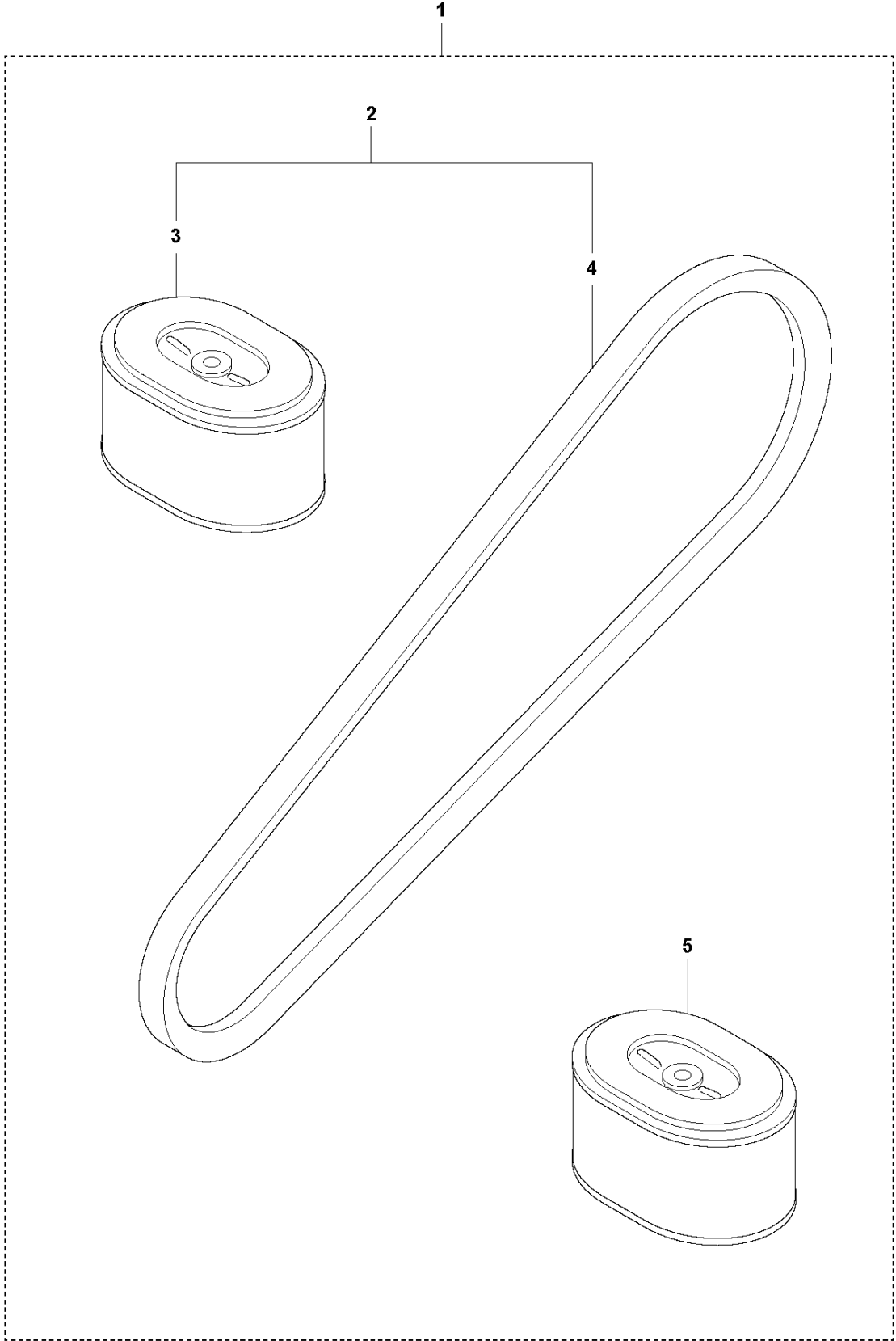


BLOCK PAVING PLATE 500 MM

LF 130 LT, 967896601, 967896901, 2019-08

| Ref | Part No      | Description      | Remark                              | QTY KIT |   |
|-----|--------------|------------------|-------------------------------------|---------|---|
| 2   | 594 48 48-01 | PLATE            | "Polyurethane plate, 500 mm, 19.7"" | 1       | 1 |
| 1   | 594 86 82-01 | BLOCK PAVING KIT | Complete                            | 1       |   |
| 3   | 594 48 49-01 | BRACKET          |                                     | 1       | 1 |
| 4   | 594 12 30-01 | LOCK NUT         | M8 x 1.25 mm A2K                    | 2       | 1 |
| 5   | 595 03 66-01 | WASHER           | 8.4x 16x1.5 mm 300HV                | 2       | 1 |
| 6   | 594 52 25-01 | SCREW            | M8 x 75 mm 8.8 A2K                  | 2       | 1 |

**S** LF 130 LT  
START UP KIT - HONDA

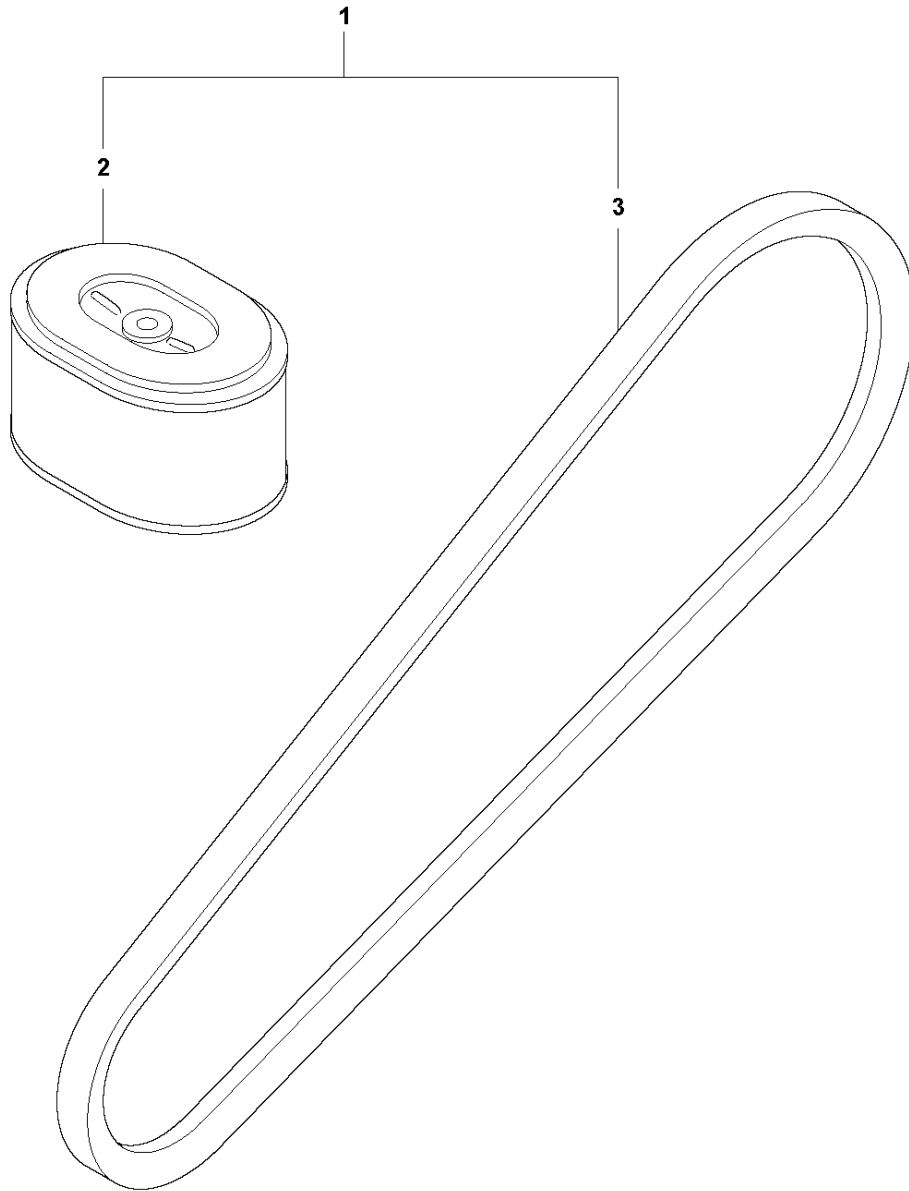


START UP KIT - HONDA

LF 130 LT, 967896601, 967896901, 2019-08

| Ref | Part No      | Description | Remark                            | QTY KIT |     |
|-----|--------------|-------------|-----------------------------------|---------|-----|
| 1   | 595 38 53-01 | SERVICE KIT |                                   | 1       |     |
| 2   | 594 21 62-01 | SERVICE KIT | 12 months / 200 hours service kit | 1       | 1   |
| 3   | 594 30 21-01 | AIR FILTER  | Complete                          | 1       | 1,2 |
| 4   | 594 48 88-01 | V-BELT      |                                   | 1       | 1,2 |
| 5   | 594 30 21-01 | AIR FILTER  | Complete                          | 1       | 1,2 |

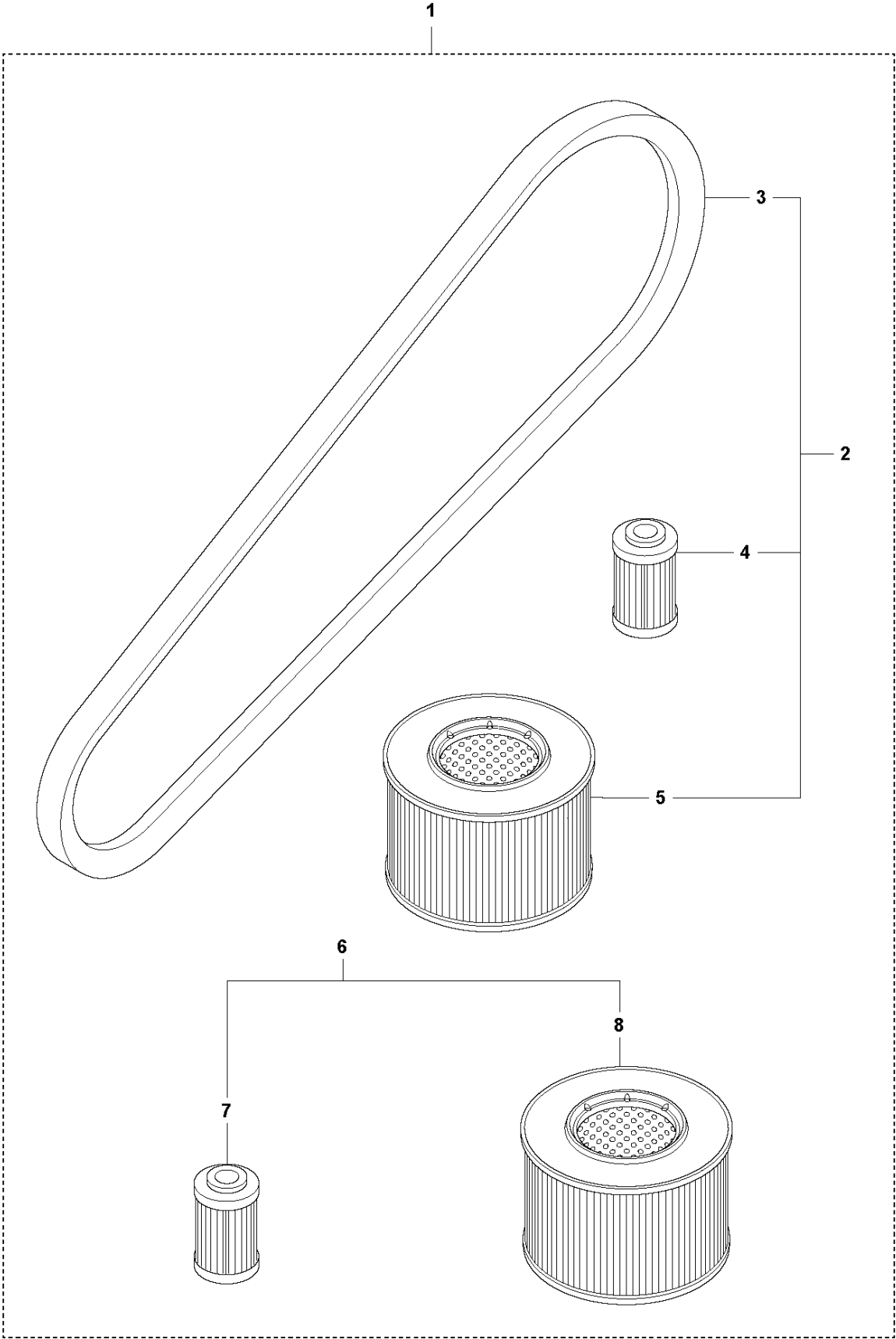
**T** LF 130 LT  
12 MONTHS / 200 HOURS SERVICE KIT - HONDA



12 MONTHS / 200 HOURS SERVICE KIT - HONDA LF 130 LT, 967896601, 967896901, 2019-08

| Ref | Part No      | Description | Remark | QTY | KIT |
|-----|--------------|-------------|--------|-----|-----|
| 1   | 594 21 62-01 | SERVICE KIT |        | 1   |     |
| 2   | 594 30 21-01 | AIR FILTER  |        | 1   | 1   |
| 3   | 594 48 88-01 | V-BELT      |        | 1   | 1   |

**U** LF 130 LT  
START UP KIT - HATZ

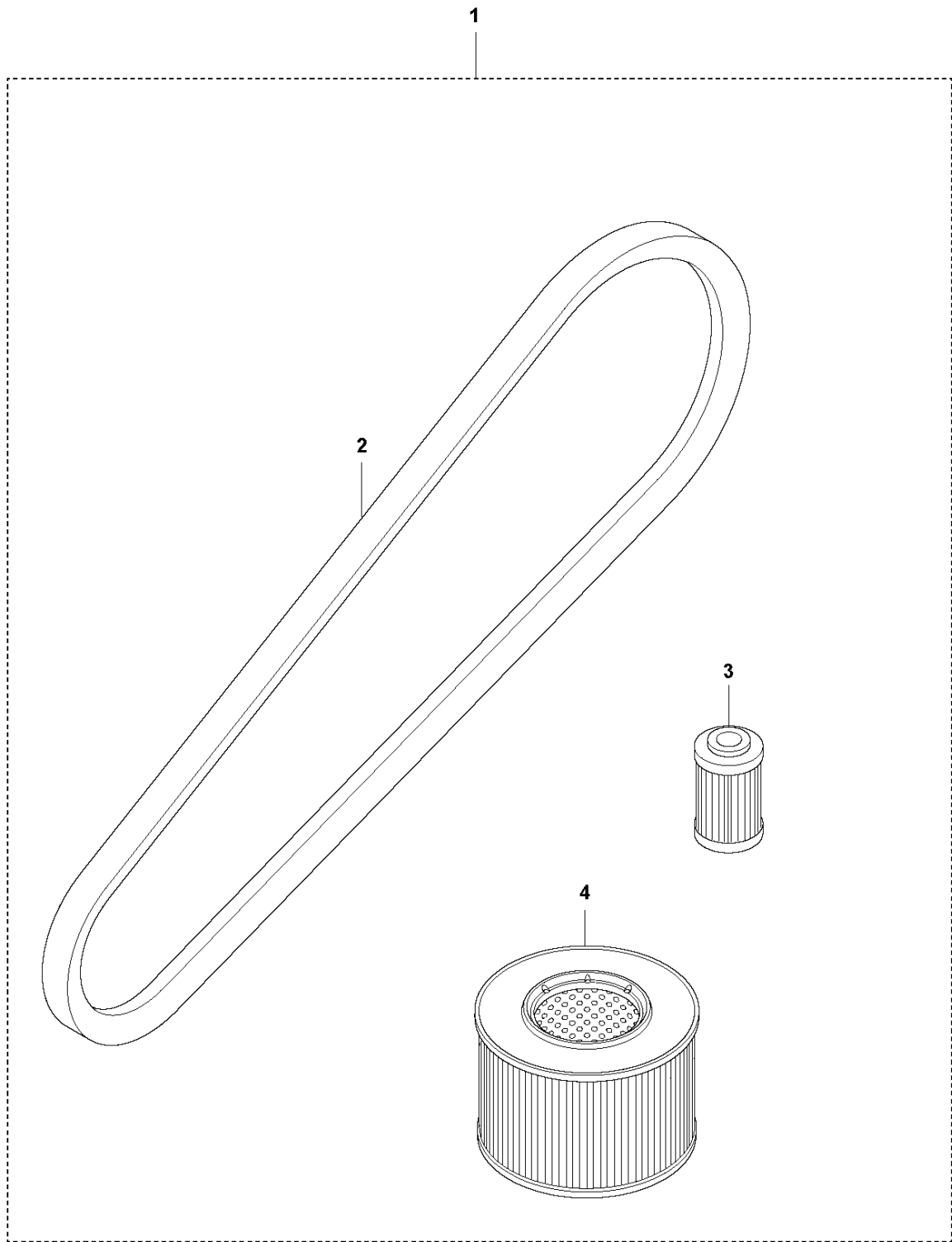


## START UP KIT - HATZ

LF 130 LT, 967896601, 967896901, 2019-08

| Ref | Part No      | Description | Remark                                      | QTY KIT |     |
|-----|--------------|-------------|---|---------|-----|
| 1   | 594 21 82-01 | SERVICE KIT |   | 1       |     |
| 2   | 594 21 67-01 | SERVICE KIT | 12 months / 500 hours<br>service kit - Hatz | 1       | 1   |
| 3   | 594 48 89-01 | BELT        |   | 1       | 1,2 |
| 4   | 594 59 51-01 | FUEL FILTER |   | 1       | 1,2 |
| 5   | 594 57 11-01 | FILTER      |   | 1       | 1,2 |
| 6   | 594 21 46-01 | SERVICE KIT | Six months / Every 250<br>hours kit - Hatz  | 1       | 1   |
| 7   | 594 59 51-01 | FUEL FILTER |   | 1       | 1,6 |
| 8   | 594 57 11-01 | FILTER      |   | 1       | 1,6 |

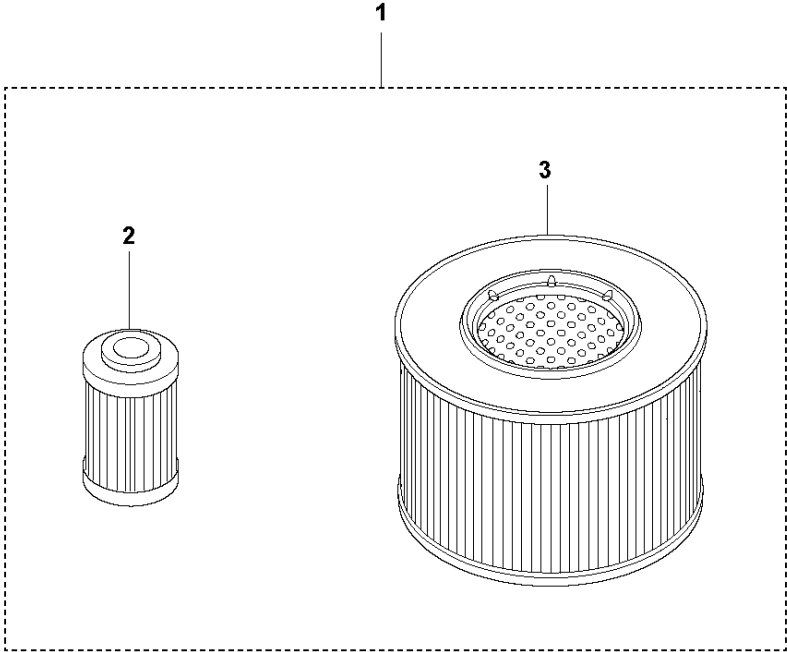
**V** LF 130 LT  
12 MONTHS / 500 HOURS SERVICE KIT - HATZ





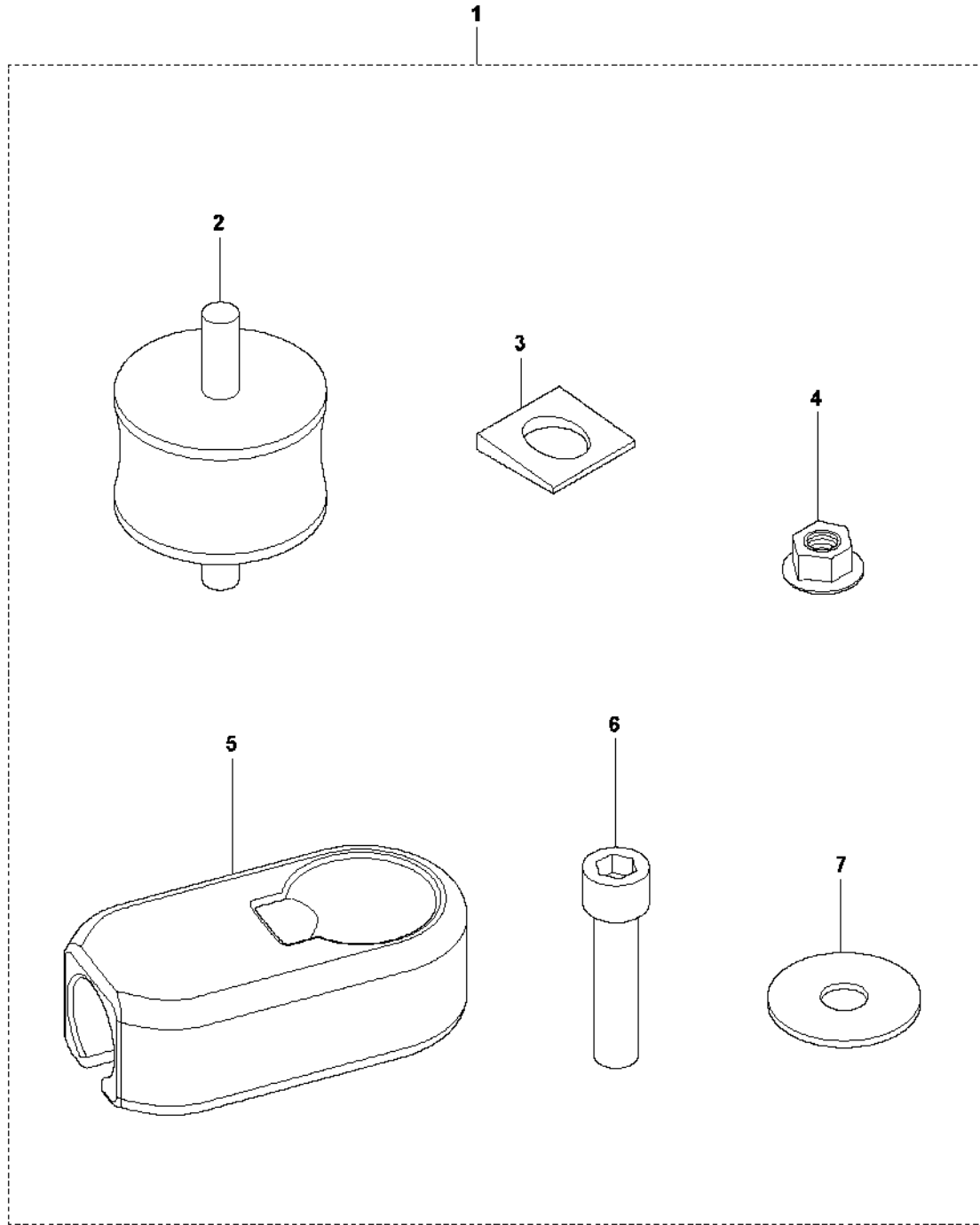
| Ref | Part No      | Description | Remark | QTY KIT |   |
|-----|--------------|-------------|--------|---------|---|
| 1   | 594 21 67-01 | SERVICE KIT |        | 1       |   |
| 2   | 594 48 89-01 | BELT        |        | 1       | 1 |
| 3   | 594 59 51-01 | FUEL FILTER |        | 1       | 1 |
| 4   | 594 57 11-01 | FILTER      |        | 1       | 1 |

**W** LF 130 LT  
SIX MONTHS / EVERY 250 HOURS KIT - HATZ



| Ref | Part No      | Description | Remark | QTY KIT |   |
|-----|--------------|-------------|--------|---------|---|
| 1   | 594 21 46-01 | SERVICE KIT |        | 1       |   |
| 2   | 594 59 51-01 | FUEL FILTER |        | 1       | 1 |
| 3   | 594 57 11-01 | FILTER      |        | 1       | 1 |

**X** LF 130 LT  
SHOCK ABSORBER REPAIR KIT

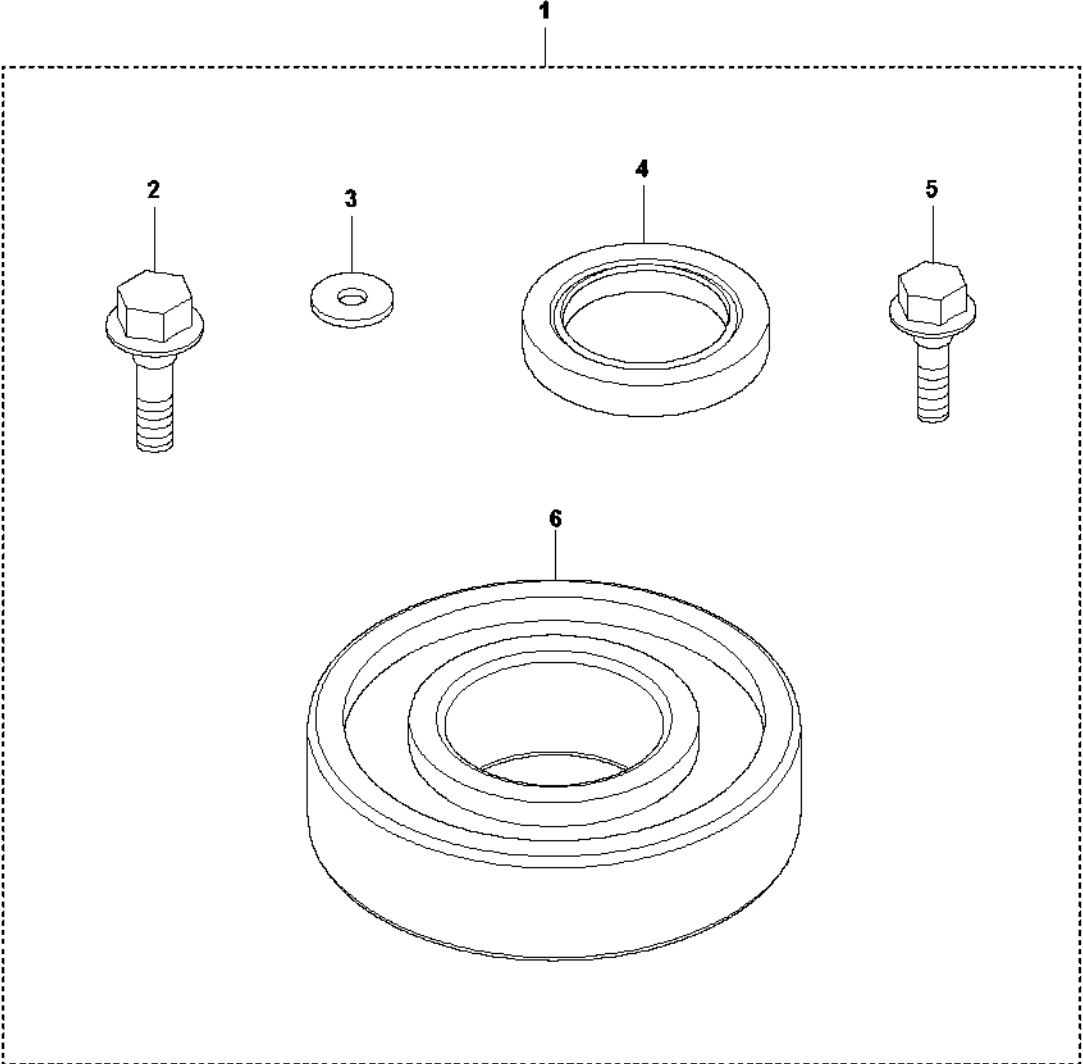


## SHOCK ABSORBER REPAIR KIT

LF 130 LT, 967896601, 967896901, 2019-08

| Ref | Part No      | Description | Remark  | QTY KIT |   |
|-----|--------------|-------------|---|---------|---|
| 1   | 594 19 46-01 | REPAIR KIT  |   | 1       |   |
| 2   | 594 34 19-01 | ABSORBER    |   | 4       | 1 |
| 3   | 594 52 64-01 | WASHER      | Square taper washer M10<br>22x22x4.6 dia.11 din 435 | 4       | 1 |
| 4   | 595 18 48-01 | HEXAGON NUT | Nut, M10 A3K  | 8       | 1 |
| 5   | 594 48 04-01 | RADIATOR    |   | 2       | 1 |
| 6   | 594 53 00-01 | SCREW       | Screw, M12 x 50 mm 8.8<br>A3K                       | 2       | 1 |
| 7   | 594 83 85-01 | WASHER      | 022x10,5x4,0, S355JR,<br>UNTR                       | 4       | 1 |

**Y** LF 130 LT  
ECCENTRIC ELEMENT REPAIR KIT



## ECCENTRIC ELEMENT REPAIR KIT

LF 130 LT, 967896601, 967896901, 2019-08

| Ref | Part No      | Description  | Remark                | QTY KIT |   |
|-----|--------------|--------------|-----------------------|---------|---|
| 1   | 594 19 44-01 | REPAIR KIT   |                       | 1       |   |
| 2   | 594 12 00-01 | SCREW        | M08x025H, 8.8, A2K    | 1       | 1 |
| 3   | 594 12 34-01 | WASHER       | M08 8,4x22x3,0 300 HV | 1       | 1 |
| 4   | 594 12 83-01 | SEAL         |                       | 1       | 1 |
| 5   | 594 52 33-01 | SCREW        | M06x16, 8.8, A2K      | 6       | 1 |
| 6   | 594 52 61-01 | BALL BEARING |                       | 2       | 1 |

**Z** LF 130 LT  
 GOLD KIT - HONDA

1

|  |                  |                              |                   |   |
|--|------------------|------------------------------|-------------------|---|
| 1  | <b>595133802</b> | <b>Gold Kit LF 130 Honda</b> |                   |   |
| <b>Ground Plate and Eccentric System</b> |                  |                              |                   |   |
| 2  | Eccentric system | Eccentric system repair kit  | 1                 |   |
| 3  |                  | V-Belt Pulley                | 1                 |   |
| 4  |                  | Screw                        | 6                 |   |
| 5  |                  | Lock washer                  | 6                 |   |
| 6  |                  | Shock absorber repair kit    | 1                 |   |
| <b>Cosmetic Kit</b>                      |                  |                              |                   |   |
| 7  | Cover            | Cover                        | 1                 |   |
| 8  |                  | Belt guard, outer            | 1                 |   |
| 9  |                  | Screw                        | 3                 |   |
| 10                                       |                  | Nut                          | 1                 |   |
| 11                                       |                  | Screw                        | 3                 |   |
| 12                                       |                  | Screw                        | 1                 |   |
| 13                                       |                  | Lock Spring                  | 1                 |   |
| 14                                       |                  | Washer                       | 3                 |   |
| 15                                       |                  | Screw                        | 2                 |   |
| 16                                       |                  | Handle                       | Handle Kit        | 1 |
| 17                                       |                  | Labeling                     | Product Label Set | 1 |
| <b>Engine</b>                            |                  |                              |                   |   |
| 18                                       | Service kit      | Yearly Service Kit           | 1                 |   |



| Ref | Part No      | Description | Remark                          | QTY KIT |
|-----|--------------|-------------|---------------------------------|---------|
| 1   | 595 13 38-02 | SERVICE KIT | For LF 130 LT with Honda engine | 1       |

**AA** LF 130 LT  
SILVER KIT - HONDA

1

|          |                  |  |               |
|----------|------------------|--|---------------|
| <b>1</b> | <b>595388501</b> | <b>Silver Kit LF 130 Honda</b>           |               |
|          |                  | <b>Ground Plate and Eccentric System</b> |               |
| <b>2</b> | Eccentric System | Eccentric Element Repair Kit             | 1             |
| <b>3</b> |                  | V-Belt Pulley                            | 1             |
| <b>4</b> |                  | Screw                                    | 6             |
| <b>5</b> |                  | Lock Washer                              | 6             |
| <b>6</b> |                  | Shock absorber repair kit                | 1             |
|          |                  |  | <b>Engine</b> |
| <b>7</b> | Service kit      | Yearly service kit                       | 1             |

SILVER KIT - HONDA

LF 130 LT, 967896601, 967896901, 2019-08

| Ref | Part No      | Description | Remark                          | QTY KIT |
|-----|--------------|-------------|---------------------------------|---------|
| 1   | 595 38 85-01 | SERVICE KIT | For LF 130 LT with Honda engine | 1       |

**AB** LF 130 LT  
COSMETIC KIT - HONDA

1

| 1  | 595386502 | Cosmetic Kit      |            |
|----|-----------|-------------------|------------|
| 2  | Covers    | Cover             | 1          |
| 3  |           | Belt guard, outer | 1          |
| 4  |           | Screw             | 3          |
| 5  |           | Nut               | 1          |
| 6  |           | Screw             | 3          |
| 7  |           | Screw             | 1          |
| 8  |           | Lock spring       | 1          |
| 9  |           | Washer            | 3          |
| 10 |           | Screw             | 2          |
| 11 |           | Handle            | Handle kit |
| 12 | Labeling  | Product lable set | 1          |

COSMETIC KIT - HONDA

LF 130 LT, 967896601, 967896901, 2019-08

| Ref | Part No      | Description | Remark                          | QTY KIT |
|-----|--------------|-------------|---------------------------------|---------|
| 1   | 595 38 65-02 | SERVICE KIT | For LF 130 LT with Honda engine | 1       |

**AC** LF 130 LT  
GOLD KIT - HATZ

1

|                                      |                  |                              |            |   |
|--------------------------------------|------------------|------------------------------|------------|---|
| 1                                    | 595388602        | <b>Gold Kit LF 130 Hatz</b>  |            |   |
| <b>Ground Plate Eccentric system</b> |                  |                              |            |   |
| 2                                    | Eccentric System | Eccentric Element Repair Kit | 1          |   |
| 3                                    |                  | V-Belt Pulley                | 1          |   |
| 4                                    |                  | Centrifugal Clutch           | 1          |   |
| 5                                    |                  | Screw                        | 6          |   |
| 6                                    |                  | Lock Washer                  | 6          |   |
| 7                                    |                  | Shock absorber repair kit    | 1          |   |
| <b>Cosmetic Kit</b>                  |                  |                              |            |   |
| 8                                    | Cover            | Cover                        | 1          |   |
| 9                                    |                  | Belt guard                   | 1          |   |
| 10                                   |                  | Bolt                         | 2          |   |
| 11                                   |                  | Washer                       | 2          |   |
| 12                                   |                  | Screw                        | 2          |   |
| 13                                   |                  | Locking spring               | 2          |   |
| 14                                   |                  | Bolt                         | 1          |   |
| 15                                   |                  | -                            | Nut        | 1 |
| 16                                   |                  | -                            | Bolt       | 2 |
| 17                                   |                  | Handle                       | Handle kit | 1 |
| 18                                   | Labeling         | Product Label set            | 1          |   |
| <b>Engine</b>                        |                  |                              |            |   |
| 19                                   | Engine parts     | Yearly service kit           | 1          |   |

| Ref | Part No      | Description | Remark                         | QTY KIT |
|-----|--------------|-------------|--------------------------------|---------|
| 1   | 595 38 86-02 | SERVICE KIT | For LF 130 LT with Hatz engine | 1       |

**AD** LF 100 LAT  
SILVER KIT - HATZ

1

|   |                                   |                              |   |
|---|-----------------------------------|------------------------------|---|
| 1 | 594219301                         | Silver Kit LF 100 Hatz       |   |
|   | Ground Plate and Eccentric System |                              |   |
| 2 | Eccentric system                  | Eccentric Element Repair Kit | 1 |
| 3 |                                   | v-Belt Pulley                | 1 |
| 4 |                                   | Screw                        | 6 |
| 5 |                                   | Lock Washer                  | 6 |
| 6 |                                   | Shock absorber repair kit    | 1 |
|   |                                   | Engine                       |   |
| 7 | Service Kit                       | Yearly Service Kit           | 1 |



SILVER KIT - HATZ

LF 130 LT, 967896601, 967896901, 2019-08

| Ref | Part No      | Description | Remark                         | QTY KIT |
|-----|--------------|-------------|--------------------------------|---------|
| 1   | 594 21 93-01 | ENGINE      | For LF 130 LT with Hatz engine | 1       |

**AE** LF 130 LT  
COSMETIC KIT - HATZ

1

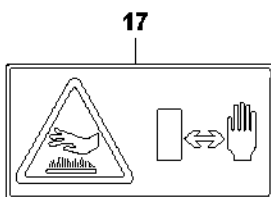
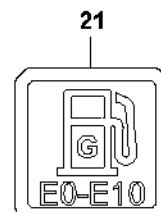
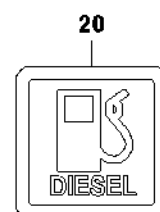
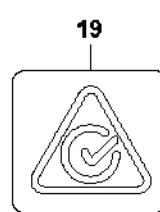
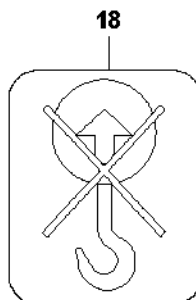
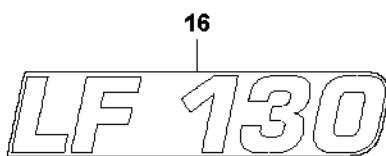
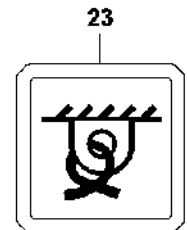
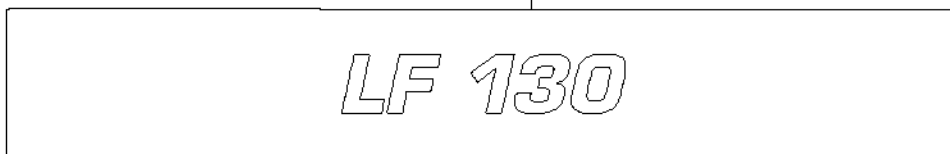
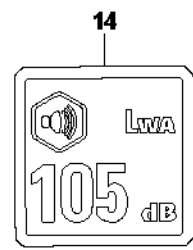
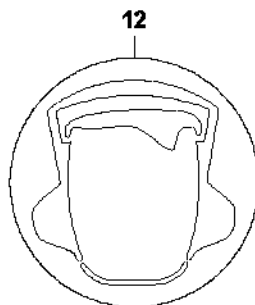
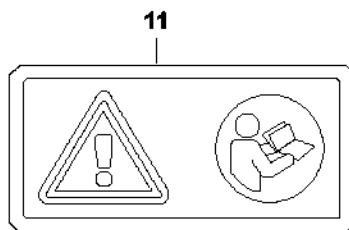
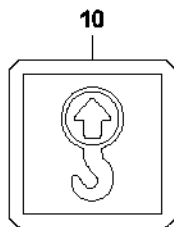
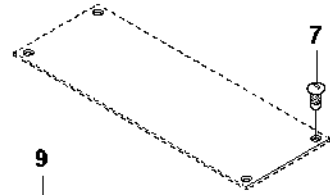
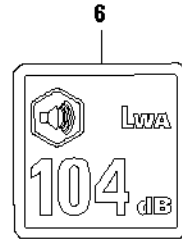
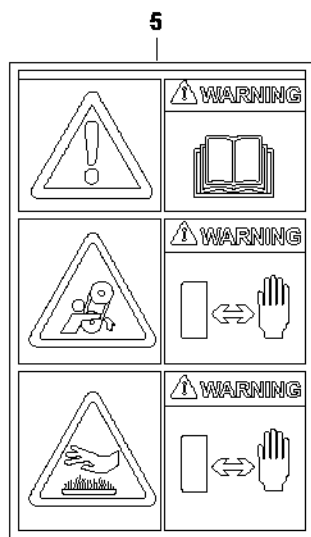
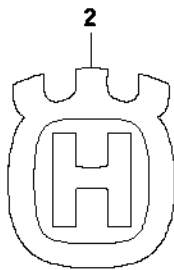
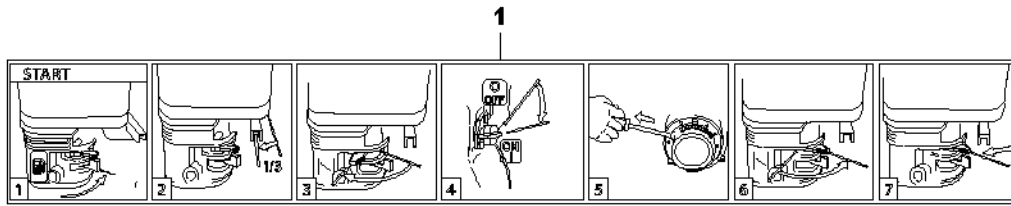
|    |           |                   |            |
|----|-----------|-------------------|------------|
| 1  | 595133402 | Cosmetic Kit      |            |
| 2  | Cover     | Cover             | 1          |
| 3  |           | Belt guard        | 1          |
| 4  |           | Bolt              | 2          |
| 5  |           | Washer            | 2          |
| 6  |           | Screw             | 2          |
| 7  |           | Lock spring       | 2          |
| 8  |           | Bolt              | 1          |
| 9  |           | Nut               | 1          |
| 10 |           | Bolt              | 2          |
| 11 |           | Handle            | Handle kit |
| 12 | Labeling  | Product label set | 1          |

COSMETIC KIT - HATZ

LF 130 LT, 967896601, 967896901, 2019-08

| Ref | Part No      | Description | Remark                      | QTY KIT |
|-----|--------------|-------------|-----------------------------|---------|
| 1   | 595 13 34-02 | SERVICE KIT | For LF 130 with Hatz engine | 1       |

# AF LF 130 LT DECALS



22



WARNING: Cancer and Reproductive Harm - [www.P65Warnings.ca.gov](http://www.P65Warnings.ca.gov)  
ADVERTENCIA: Cáncer y daño reproductivo - [www.P65Warnings.ca.gov](http://www.P65Warnings.ca.gov)  
AVERTISSEMENT: Cancer et dommages à la reproduction - [www.P65Warnings.ca.gov](http://www.P65Warnings.ca.gov)

## DECALS

LF 130 LT, 967896601, 967896901, 2019-08

| Ref | Part No      | Description | Remark                        | QTY KIT |
|-----|--------------|-------------|-------------------------------|---------|
| 1   | 594 48 62-01 | DECAL       |                               | 1       |
| 2   | 574 38 21-01 | DECAL       |                               | 1       |
| 5   | 594 48 63-01 | DECAL       |                               | 1       |
| 6   | 595 51 32-02 | LABEL       |                               | 1       |
| 7   | 595 18 02-01 | SCREW       |                               | 4       |
| 9   | 595 09 42-01 | DECAL       | logo Husqvarna                | 1       |
| 10  | 594 66 09-01 | LABEL       |                               | 2       |
| 11  | 594 86 97-01 | LABEL       | Hatz version                  | 1       |
| 12  | 594 65 96-01 | LABEL       | Hatz version                  | 1       |
| 13  | 594 66 08-01 | LABEL       | Hatz version                  | 1       |
| 14  | 594 51 56-01 | DECAL       | decal level noise 105Db       | 1       |
| 16  | 595 09 50-01 | DECAL       | model code LF130              | 1       |
| 15  | 595 90 07-01 | DECAL       | brand decal LF130<br>126x40mm | 1       |
| 17  | 594 48 33-01 | DECAL       |                               | 1       |
| 18  | 595 18 61-01 | DECAL       | Hot surface                   | 1       |
| 19  | 596 28 02-01 | DECAL       | DECAL Compliance              | 1       |
| 20  | 594 66 16-01 | LABEL       | decal diesel - Hatz           | 1       |
| 21  | 594 66 02-01 | LABEL       | decal gasoline - Honda        | 1       |
| 22  | 595 87 17-01 | LABEL       |                               | 1       |
| 23  | 594 86 95-01 | LABEL       |                               | 1       |